

CARROBOTTE TRAINATO
TRAILED SPRAYER - PULVERISATEUR TRAIINE
ANHANGESPRIITZE - PULVERIZADOR ARRASTRADO

ELIOS 2200

Matricola - Serial number Seriennummer - Numéro de matricule - Matrícula	0 02-2007
---	--------------

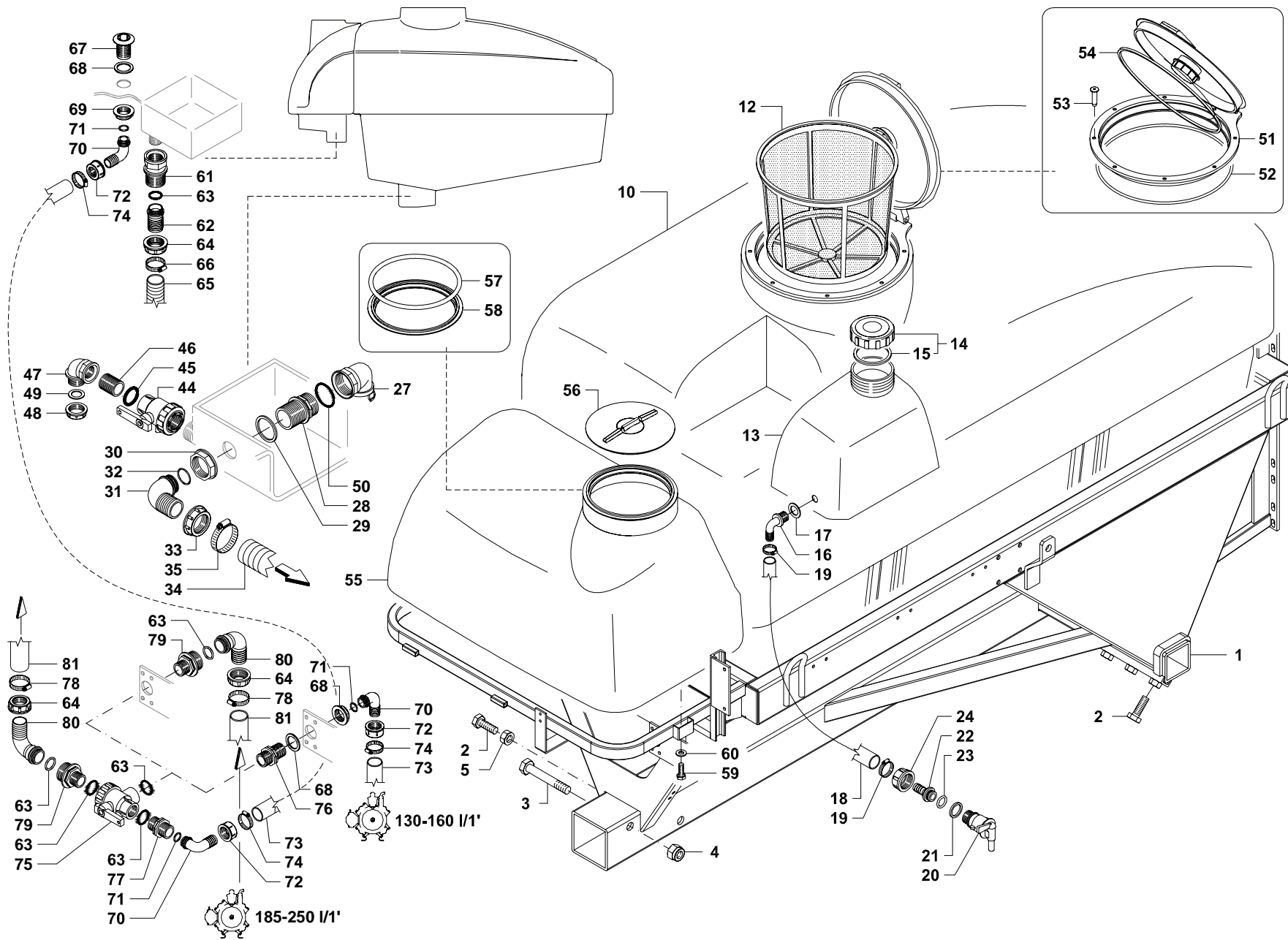
Edizione - Edition
Auflage - Edition - Edición

Catalogo parti di ricambio
Spare parts catalogue
Ersatzteilkatalog
Catalogue des pièces de rechange
Catálogo de las partes de recambio



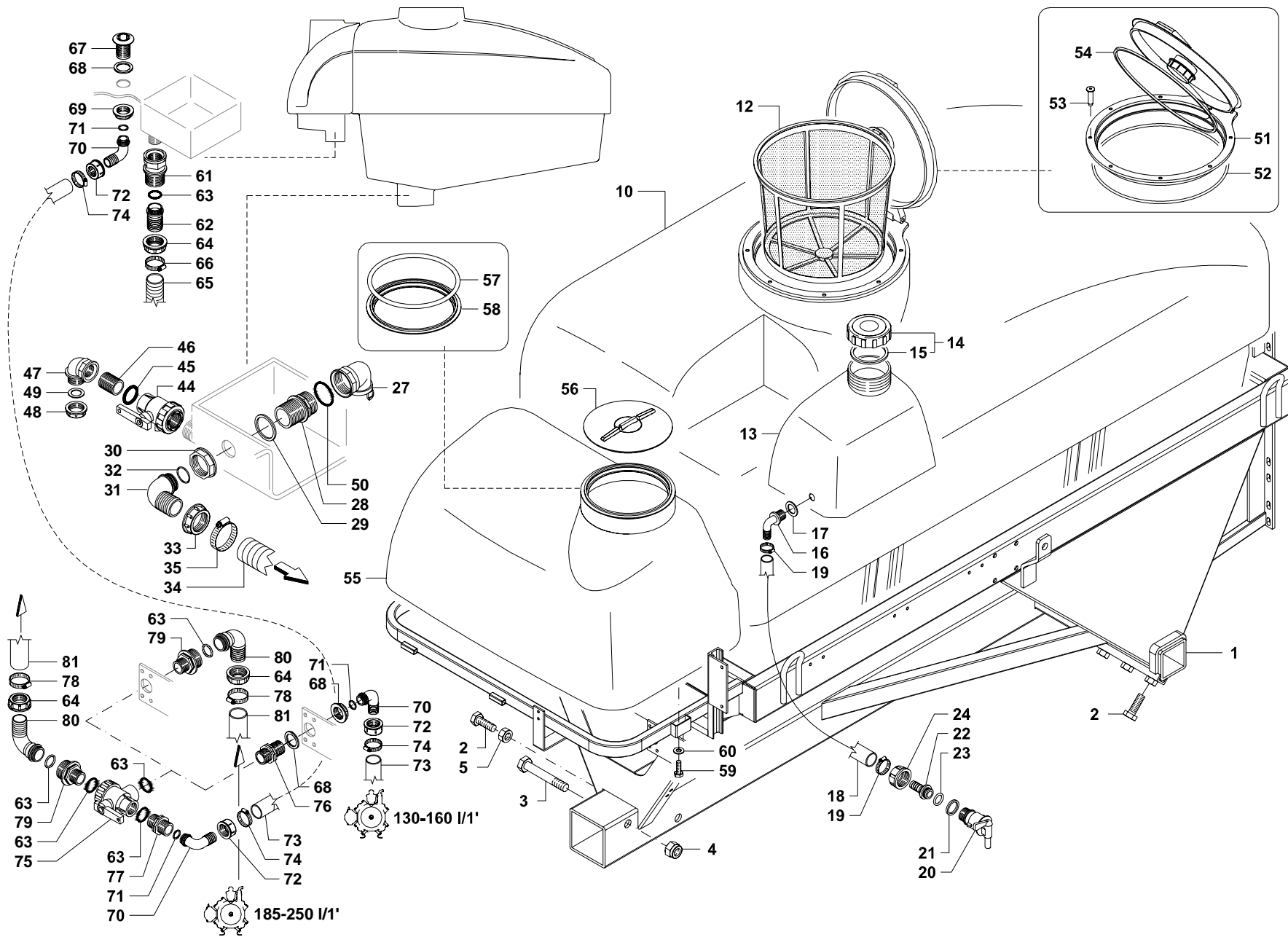
- **DIVISIONE SPRAYERS**
SPRAYERS DEPT.
Via della Cooperazione, 20 - 40026 **IMOLA (BO)** - ITALY
tel: +390542648511 - fax +390542640539 -
www.bargam.com - e-mail: salesinola@bargam.com

- **DIVISIONE MACCHINE AGRICOLE DA RACCOLTA**
HARVESTING AGRICULTURAL MACHINERY DEPT.
- **DIVISIONE DECANTER ECOLOGICI E INDUSTRIALI**
ECOLOGICAL AND INDUSTRIAL DECANTER DEPT.
- **DIVISIONE IMPIANTI OLEARI**
OILS PLANT DEPT.
Via G. Rossini, 148 - frazione STRADA - 62011 **CINGOLI (MC)** - ITALY
tel: +390733608511 - fax +390733608522 -
www.bargam.com - e-mail: salescingoli@bargam.com

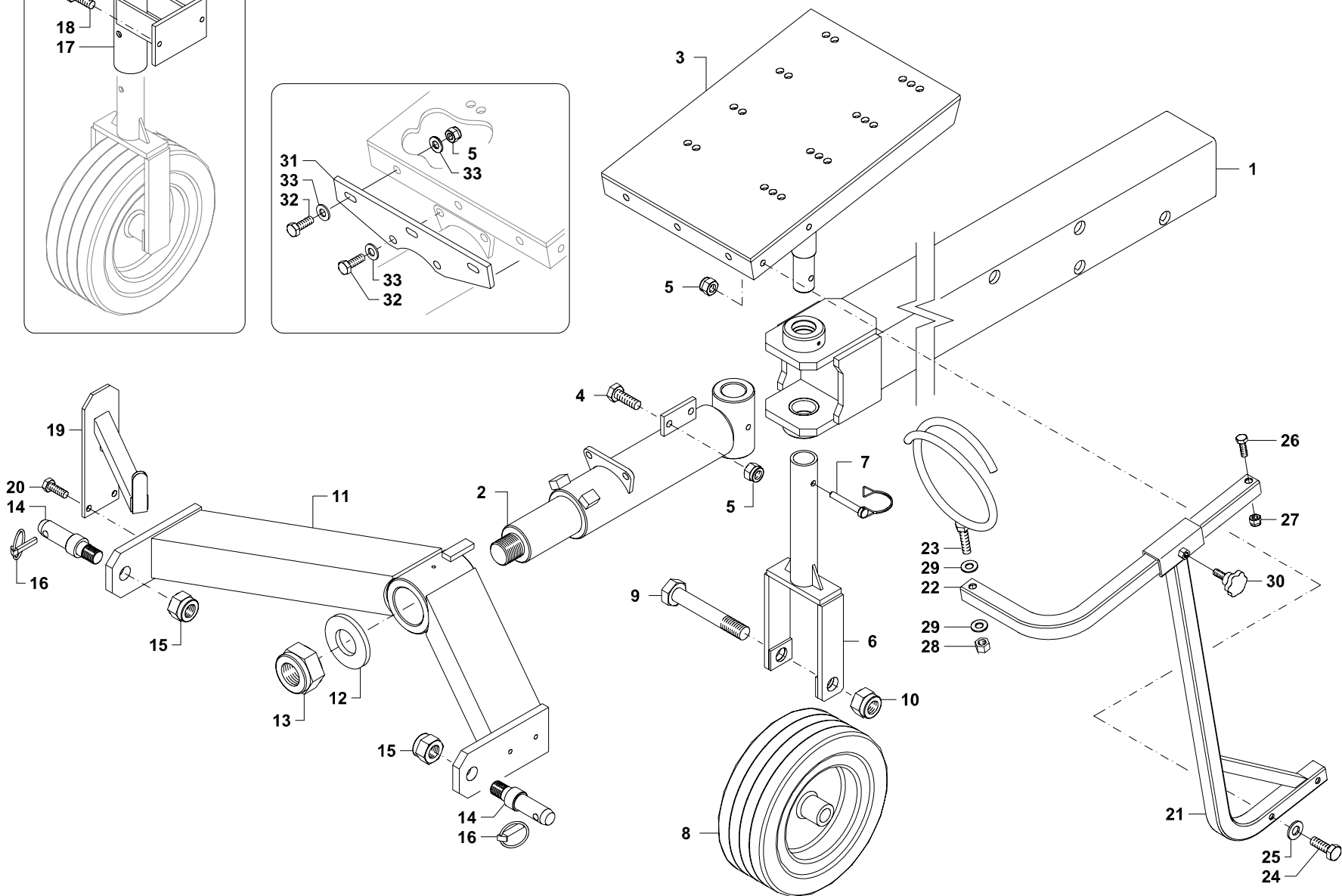
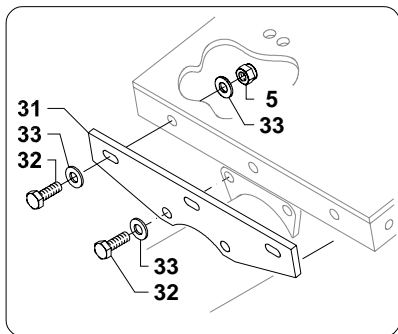
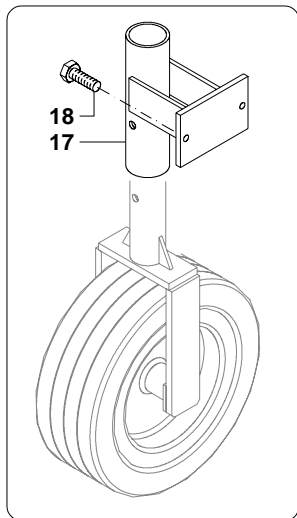


1	BG013902
2	GG900120050Z
3	GG900324170Z
4	GG905300024
5	GG905200020Z
10	BG012447
10	BG012448
10	BG019144
12	GGA00300134
13	BG013805
14	BG013981
15	GG680000039
16	GGA001132213
17	GGA00G40002
18	GG561292000
19	GG919701002
20	GG630100020
21	GGA00G40003
22	GGA00106313
23	GGA00G10031
24	GGA002002030
27	GGA001202077S
28	GGA002502071
29	GGA00G40007
30	GGA002052070
31	GGA00116750
32	GGA00G10071
33	GGA002002070
34	GG565080000
35	GG919738050X
44	GGA004542135
45	GG600206162
46	GGA00230551
47	GGA001262055
48	BG009488
49	GGA00G40003
50	GGA00G10073
51	GGA00356060
52	GGA350420.020
53	GG919848035
54	A- 356660.620NB
55	BG012449
56	BG003317
57	GGA350620.020
58	GGA00350620
59	GG900510050Z
60	GG907111030Z
61	BG01563
62	GGA00106640
63	GGA00G10061

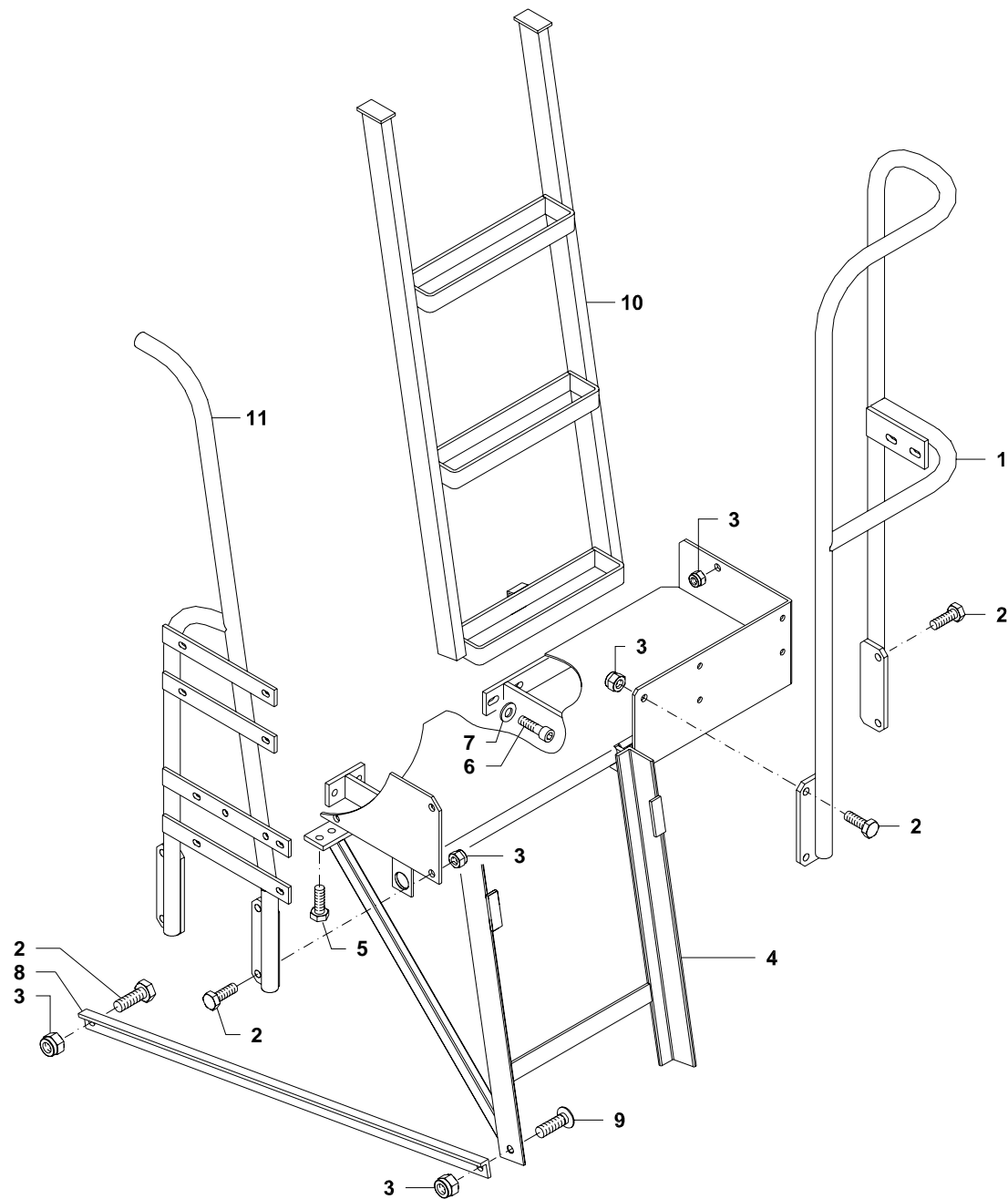
15001
20001
25001



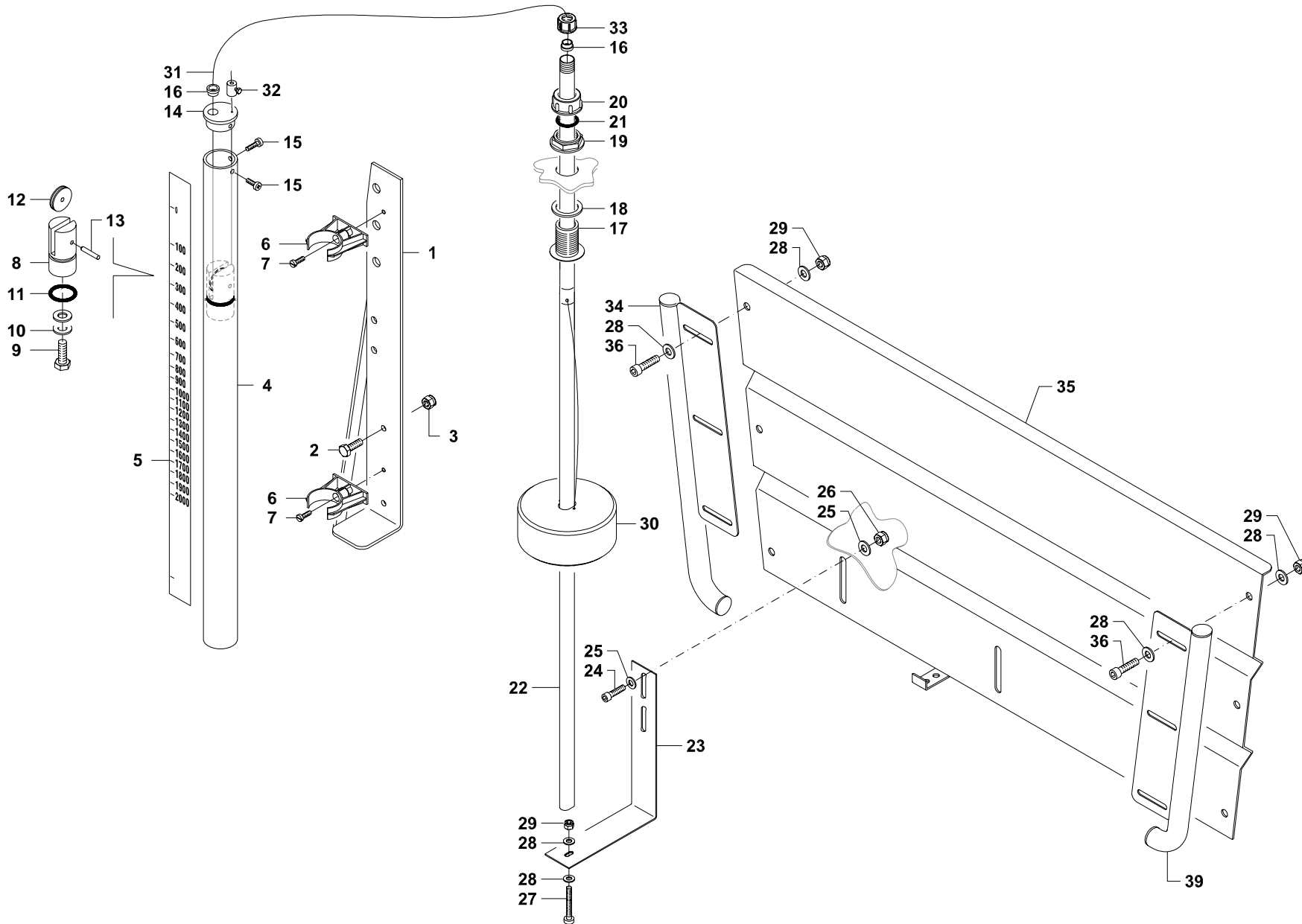
64	GGA002002060
65	GG564080000
66	GG919727051X
67	GGA00220040
68	GGA00G4004
69	GGA002052040
70	GGA00116425
71	GGA00G10041
72	GGA002002040
73	GG562501000
74	GG919725035X
75	GGA004542234H
76	GGA002502041
77	GGA002502040
78	GG919732044X
79	BG002197
80	GGA00116635
81	BG012132



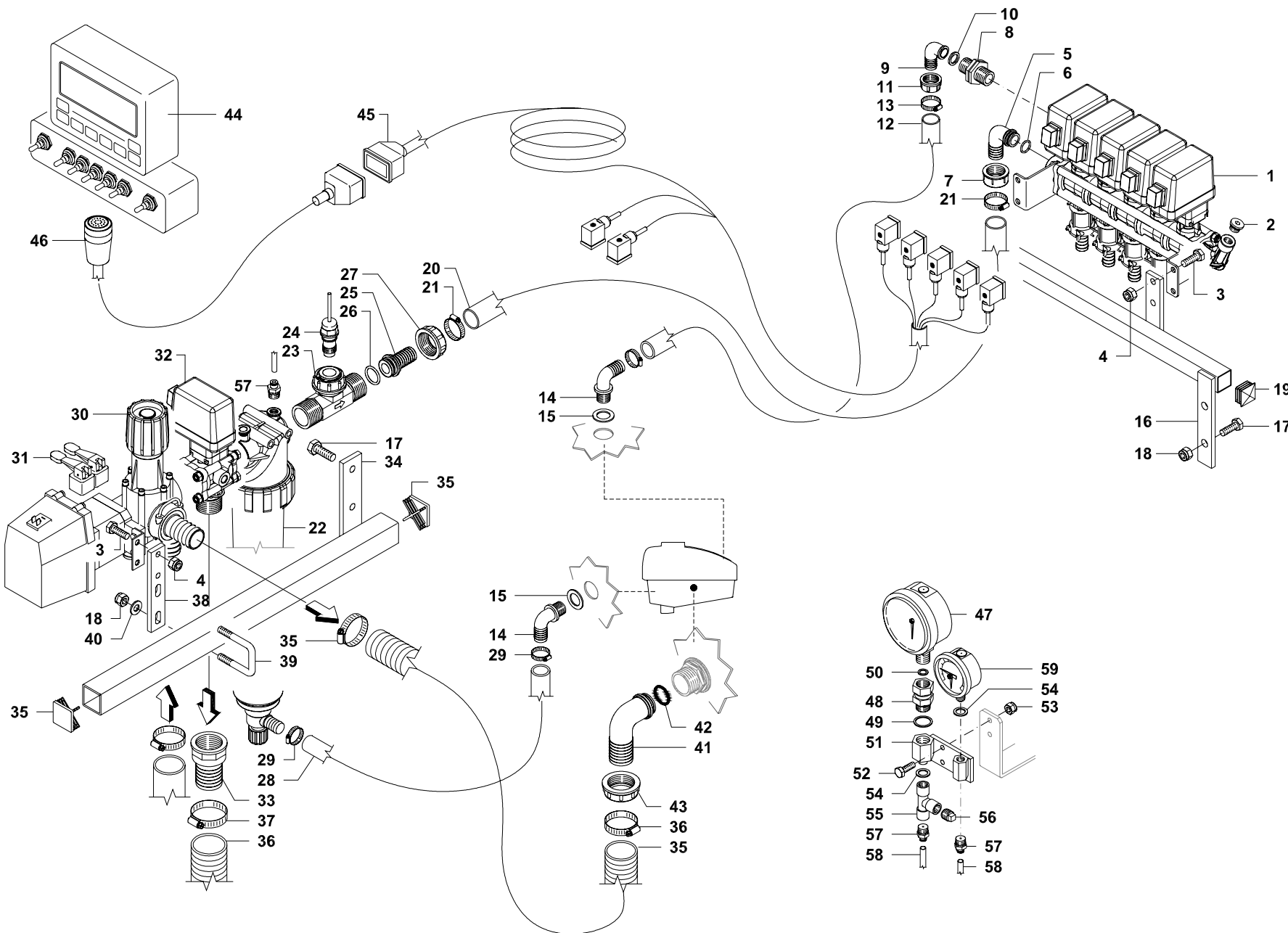
1	GG392000085V
2	GG392000087V
3	GG392000101V
4	GG900110030Z
5	GG905300010
6	GG392000110V
7	GG919800003Z
8	GG950500310
9	GG900324170Z
10	GG905300024
11	GG392000094V
12	GG907043078Z
13	GG905430042
14	GG500100027Z
15	GG905400024
16	GG919800004Z
17	GGKROB.3920108V
18	GG900108025Z
19	GG392000100V
20	GG900110025Z
21	GG392000155V
22	GG392000154V
23	GG392000157V
24	GG900310055Z
25	GG907111030Z
26	GG900108016Z
27	GG905400008
28	GG905400012
29	GG907012025Z
30	GG950410030
31	GG422000560V
32	GG900110035Z
33	GG907010021Z



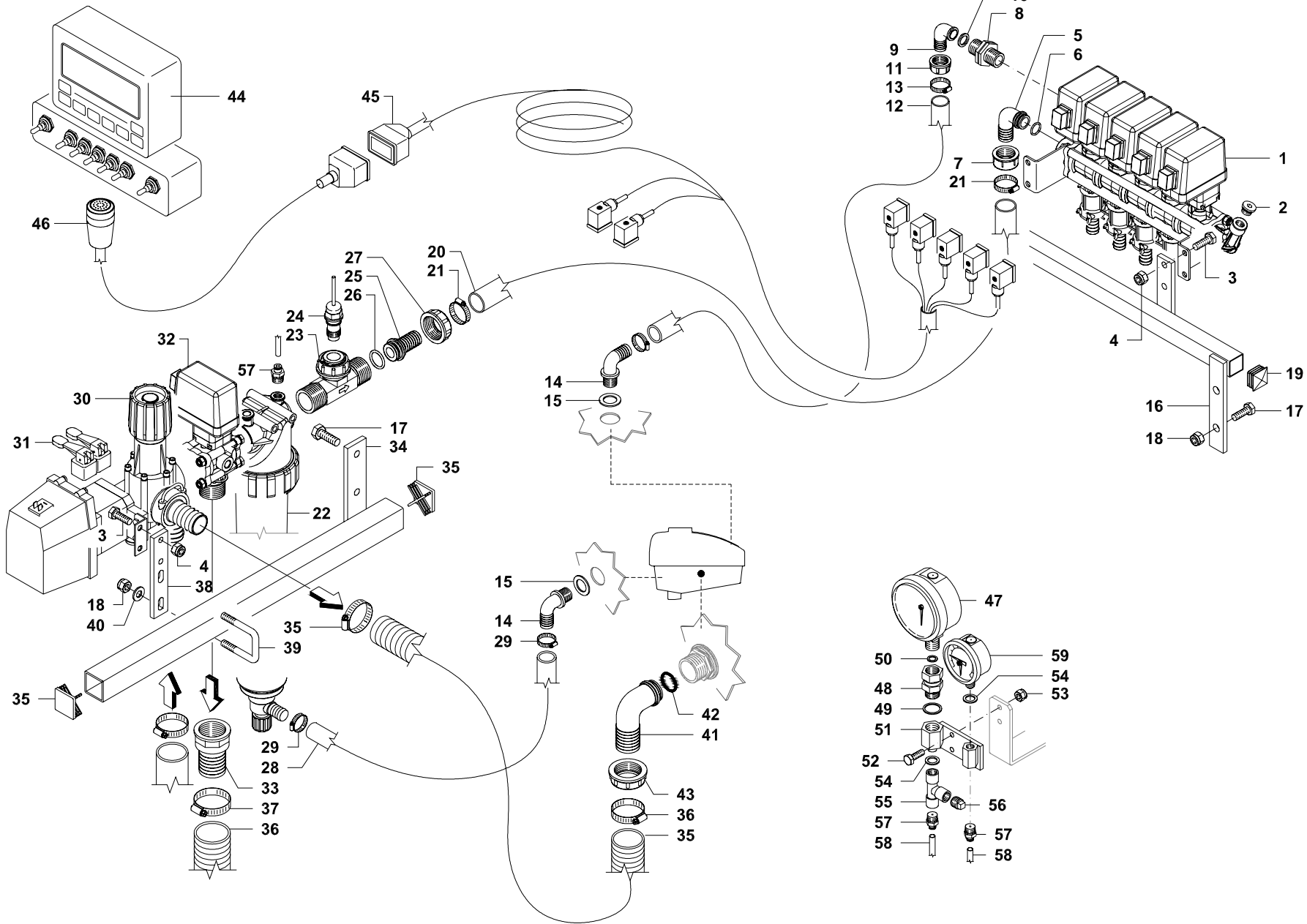
- 1 BG014094
- 2 GG900110030Z
- 3 GG905300010
- 4 BG014096
- 5 GG900110025Z
- 6 GG900510020Z
- 7 GG907010021Z
- 8 GG392000063V
- 9 GG900710025Z
- 10 GG392000055V
- 11 BG014071



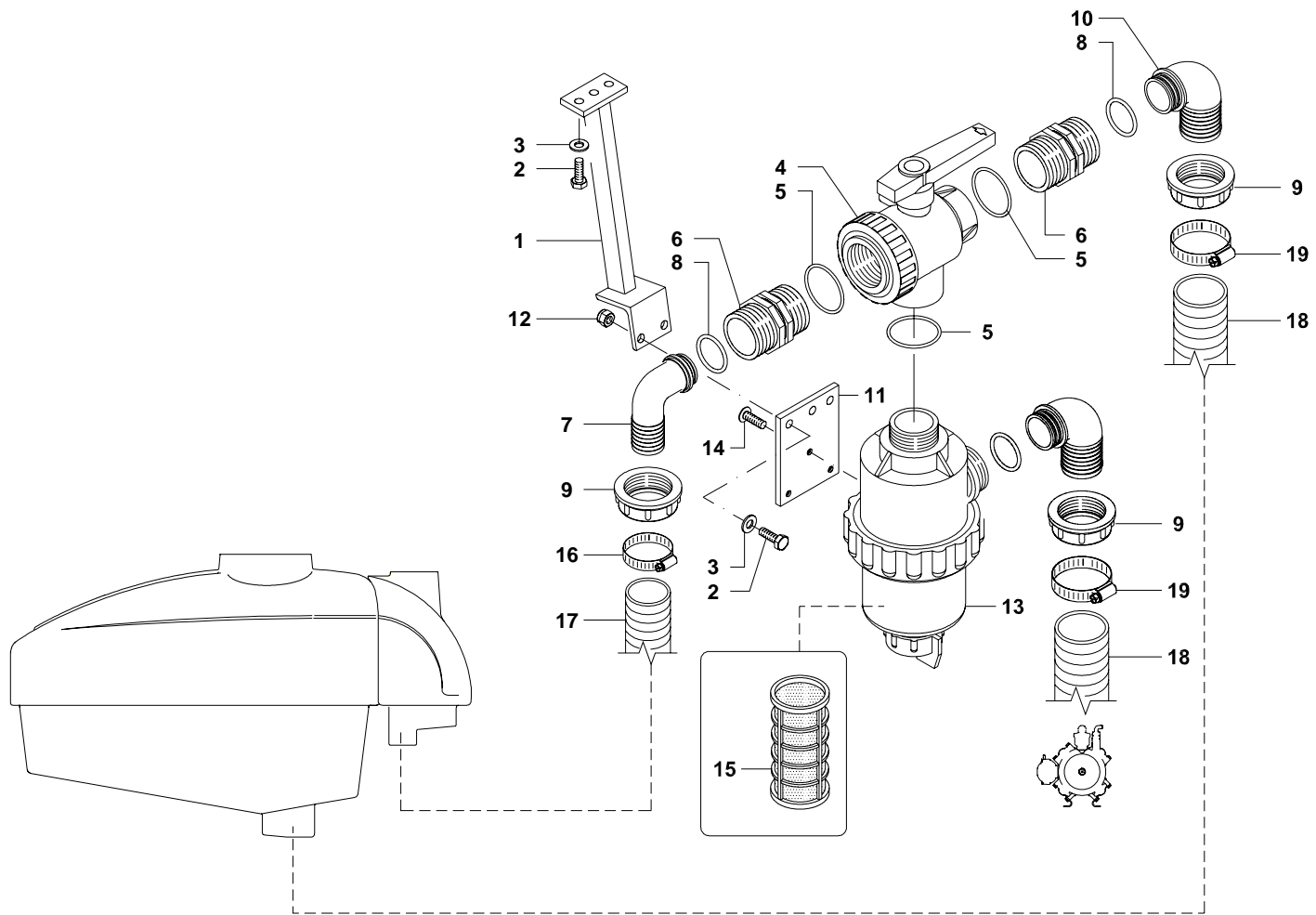
1	BG020343	
2	GG900108030Z	
3	GG905400008	
4	GG452500305	1700-2200
4	GG443000305	2700
5	BG019146	1700
5	BG015008	2200
5	BG019927	2700
6	GG950200019	
7	GG904906010X	
8	GG443000310	
9	GG900112030Z	
10	GG907112036Z	
11	GGA00G10051	
12	GG443000315	
13	GG919800013	
14	GG443000300	
15	GG904906010X	
16	GG443000320	
17	GGA00220040SS	
18	GGA00G40004	
19	GGA002052040	
20	GGA002102040S	
21	GG600200211	
22	BG015157	1700-2200
22	BG020299	2700
23	BG015023	
24	GG900508020X	
25	GG907108024X	
26	GG905400008X	
27	GG904906040X	
28	GG907106018X	
29	GG905400006X	
30	GG501100013	
31	BG001967	
32	BG004802	
33	GGA002002020	
34	BG017280	
35	BG015024	
36	GG900506020X	
39	BG017281	



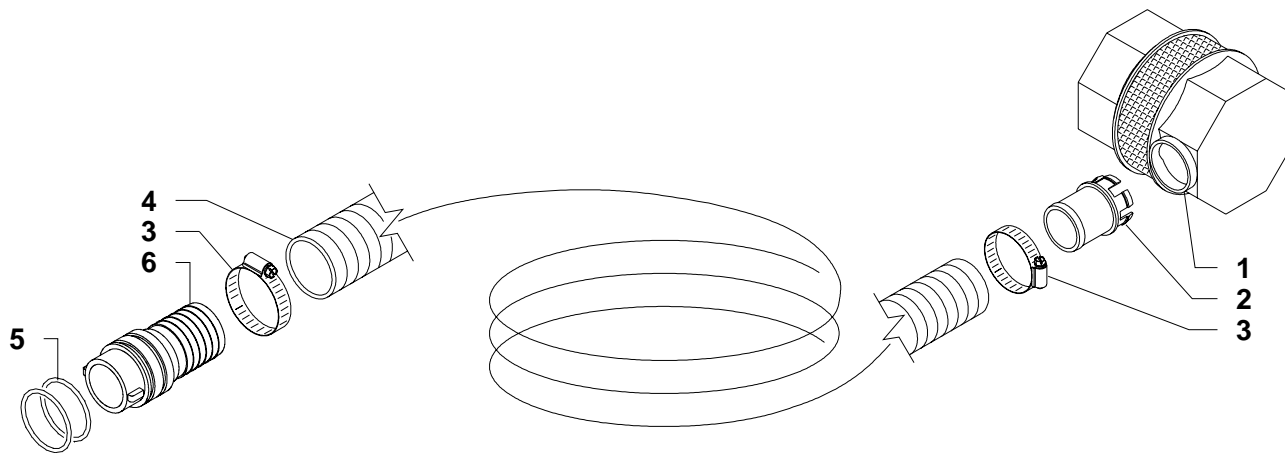
1	GGA00463CGA10
2	GG570100036Z
3	GG900108020Z
4	GG905400008
5	GGA00116425
6	GGA00G10041V
7	GGA002002040
8	GGA002502030
9	GGA00115320
10	GGA00G40013
11	GGA002002030
12	GG561900000
13	GG919714027X
14	BG011332
15	GGA00G40002
16	GG650300050V
17	GG900110030Z
18	GG905400010
19	GG950130030
20	GG562501000
21	GG919725035X
22	GGA0032821535
23	GG680000069
24	GG680000066
25	GGA00106525
26	GG600200211
27	GGA002002050
28	GG562092000
29	GG919701001
30	GGA004642502
31	GGA464402.150
32	BG020121
33	GGA00100540
34	BG014627
35	GG950140040
36	GG564080000
37	GG919727051X
38	GG650300015V
39	GG500500001Z
40	GG907010021Z
41	GGA00116640
42	GGA00G10061
43	GGA002002060
44	BG020269
45	BG020266
46	BG020267
47	GG680000027
48	GG740000047Z
49	BB50243121
50	BG016398



51	GG392000237Z
52	GG904506020Z
53	GG905300006
54	BB50243113
55	GG570100034Z
56	GG750400317
57	GG820110007
58	GG560284000
59	GG680000021

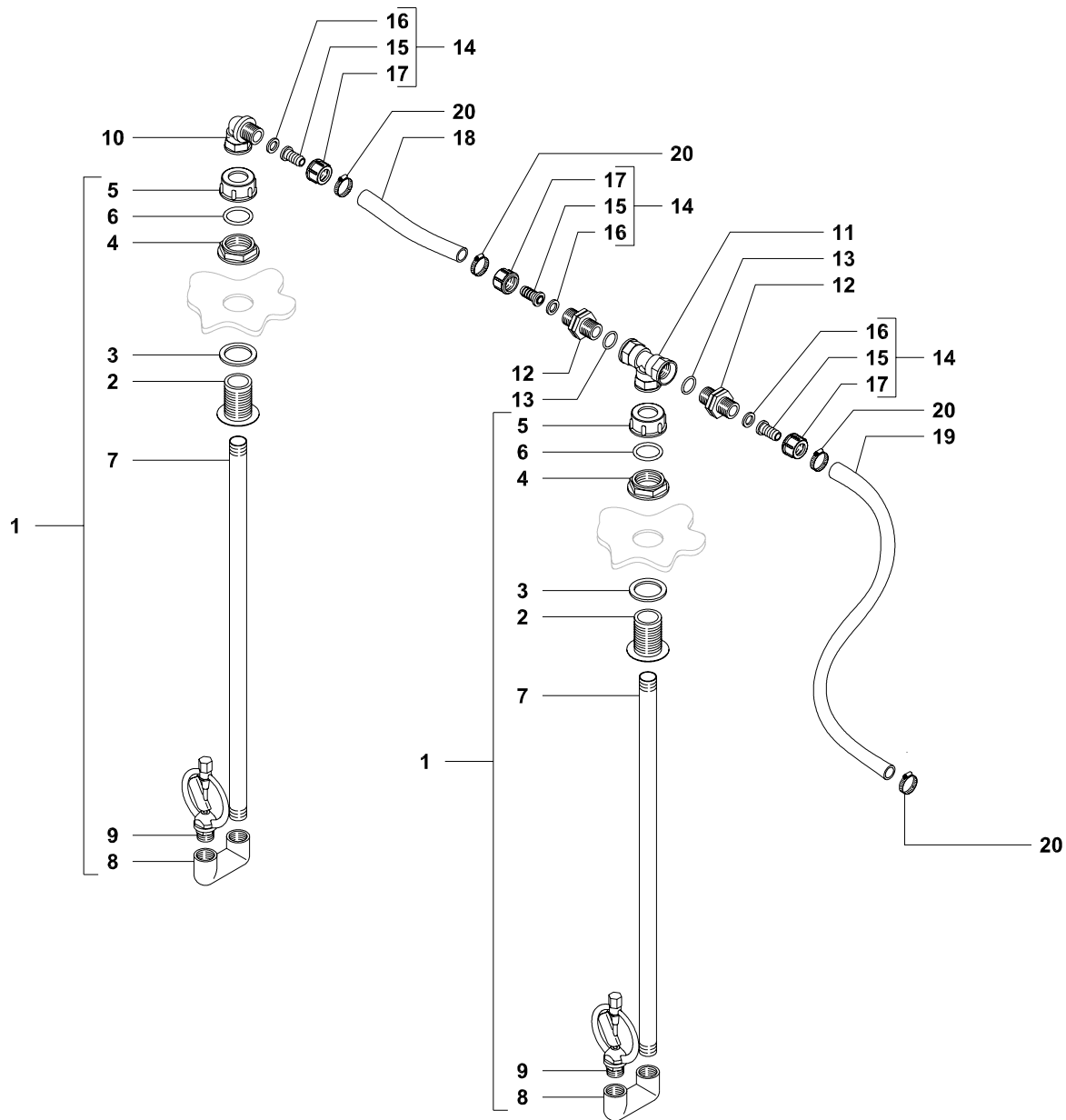


- 1 BG014072
- 2 GG900110030Z
- 3 GG907010021Z
- 4 GGA004542237
- 5 GGA00G10073
- 6 GGA002502070
- 7 GGA00116640
- 8 GGA00G10071
- 9 GGA002002070
- 10 GGA00116750
- 11 BG020340
- 12 GG905300010
- 13 GGA00316473
- 14 GG900708020Z
- 15 GGA316003.030
- 16 GG564080000
- 17 GG919727051X
- 18 GG565080000
- 19 GG919838050X

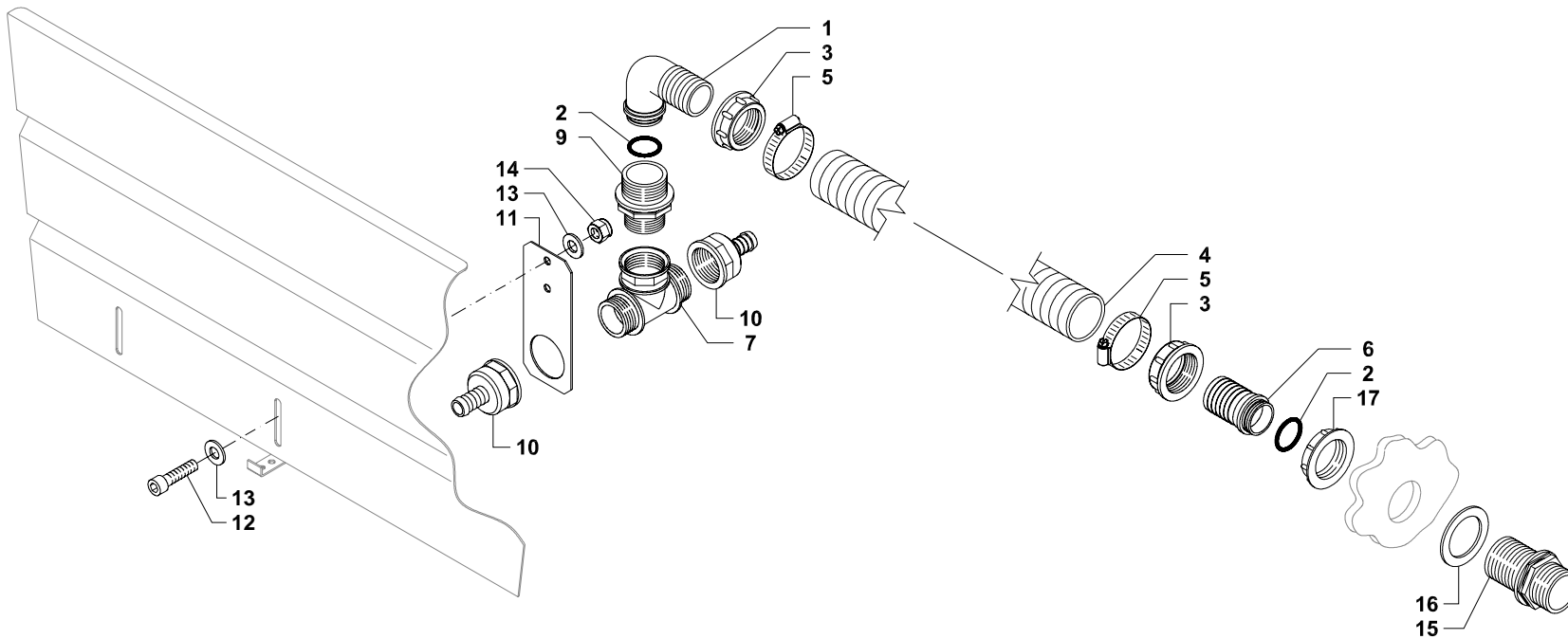


- 1 BG005821
- 2 BG005823
- 3 GG919727051X
- 4 GG564080000
- 5 GGA00G10071
- 6 GGA316400.240

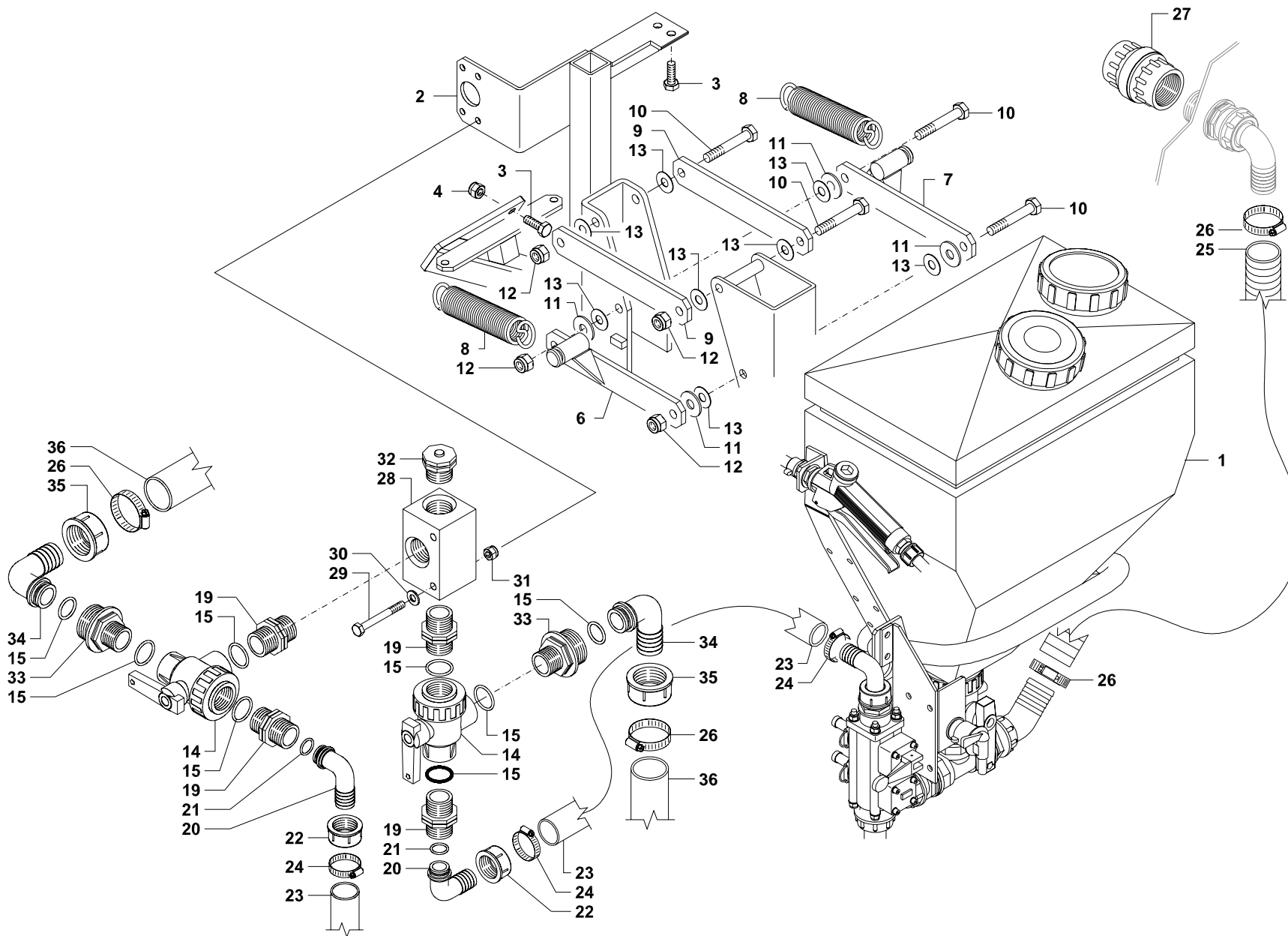
D=40



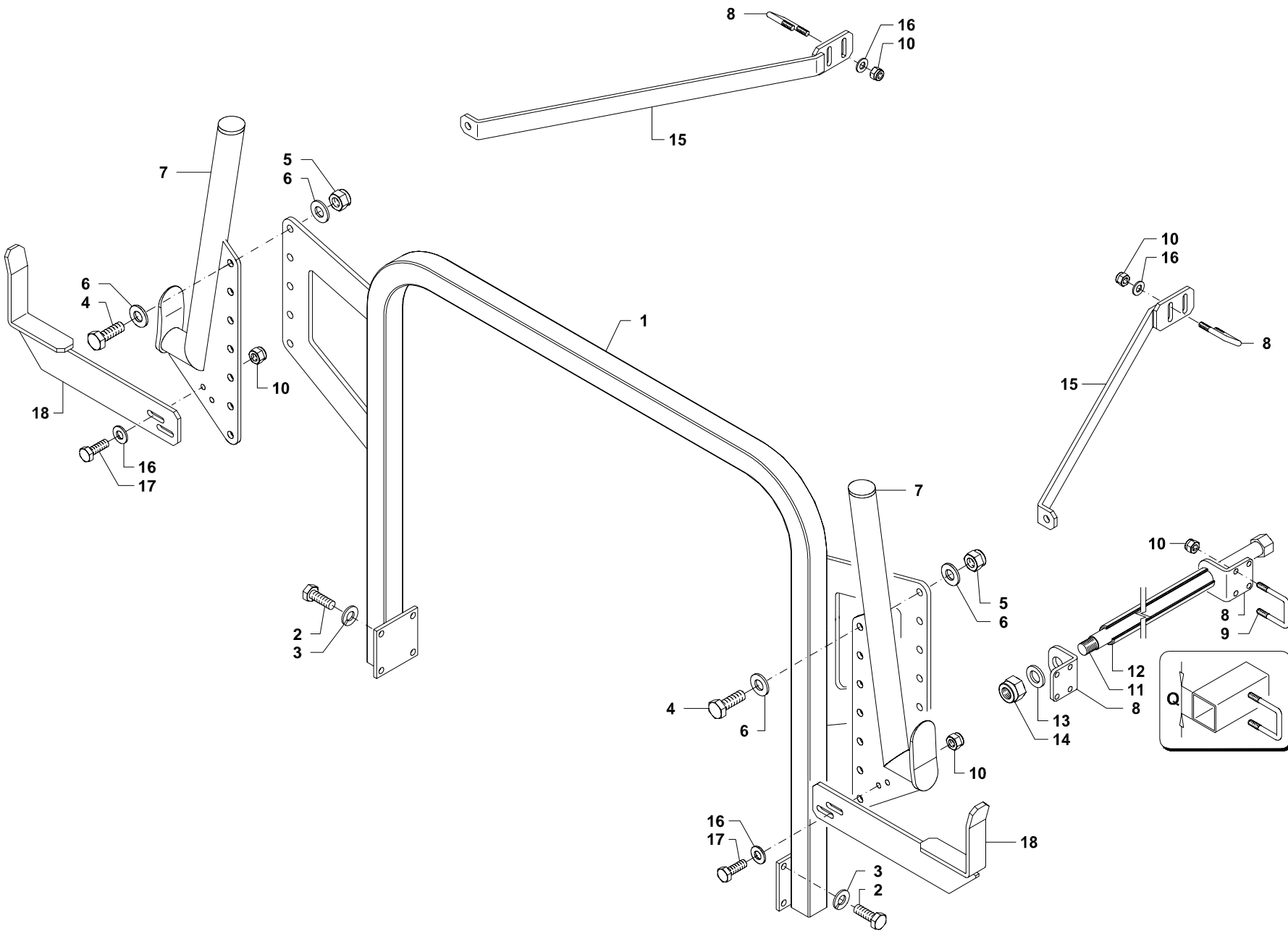
1	GG680000075
2	GGA00220040SS
3	GGA00G40004
4	GGA00252040
5	GGA002102040S
6	GG600200211
7	GG550000570
8	GG950200030
9	GG680001069
10	A001262022
11	GGA001302020
12	GGA002502020
13	GGA00G10041
14	GG999900035
15	GGA00105213
16	GGA00G40012
17	GGA002002020
18	GG561301130
19	GG561301250
20	GG919711020X



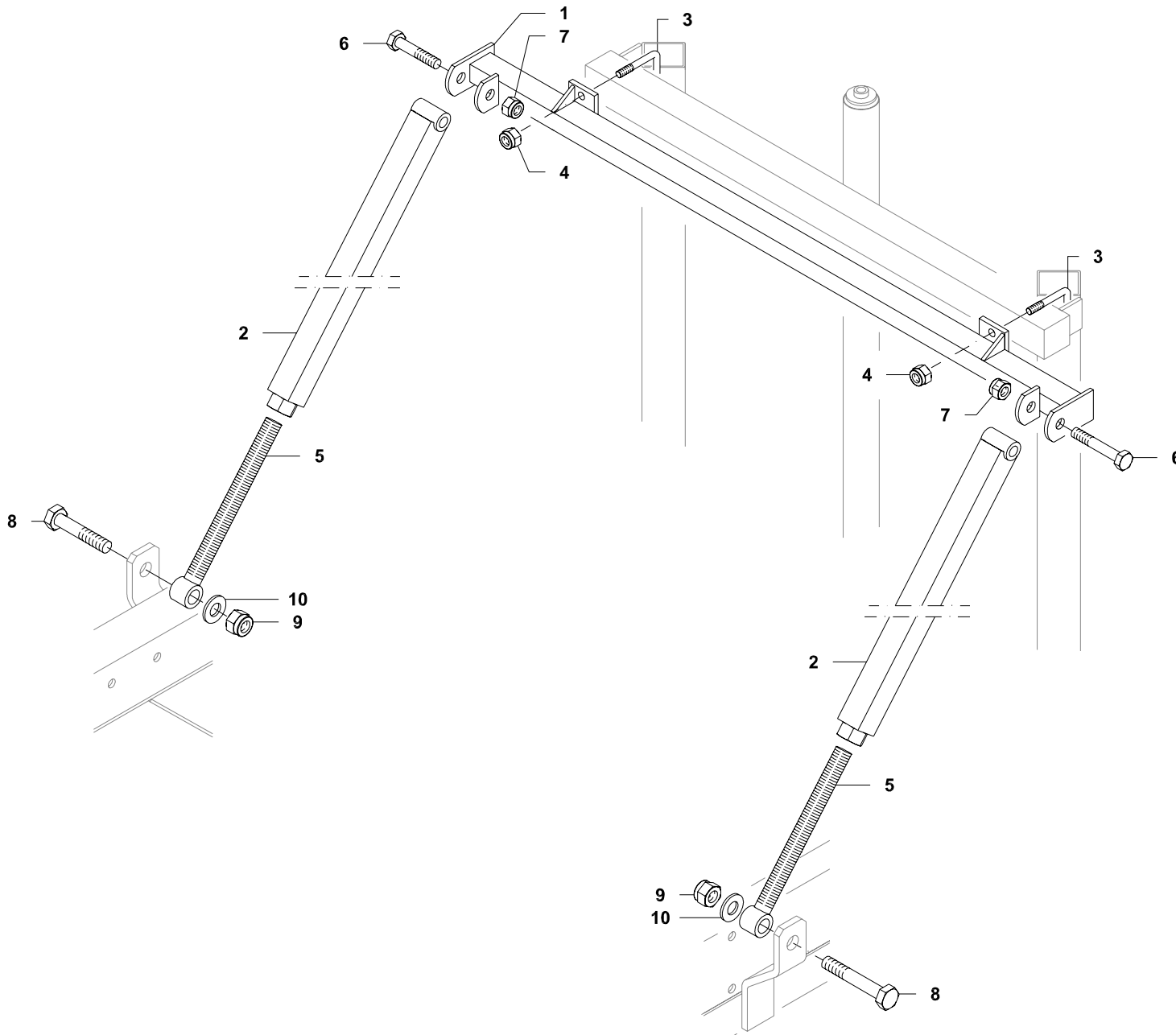
1	GGA00116640
2	GGA00G10061
3	GGA002002060
4	GG564080000
5	GG919727051X
6	GGA00106640
7	GGA00132050
9	GGA002402065
10	GGA00100519
11	BG016003
12	GG900508020X
13	GG907008017X
14	GG905400008X
15	GGA002502061
16	GGA00G40006
17	GGA002052060



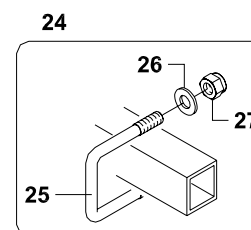
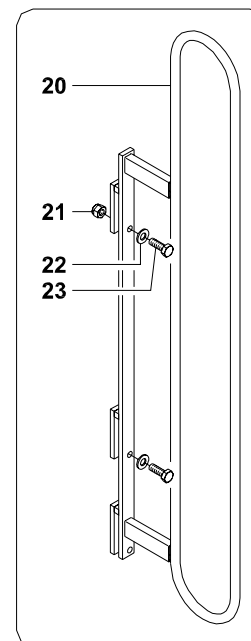
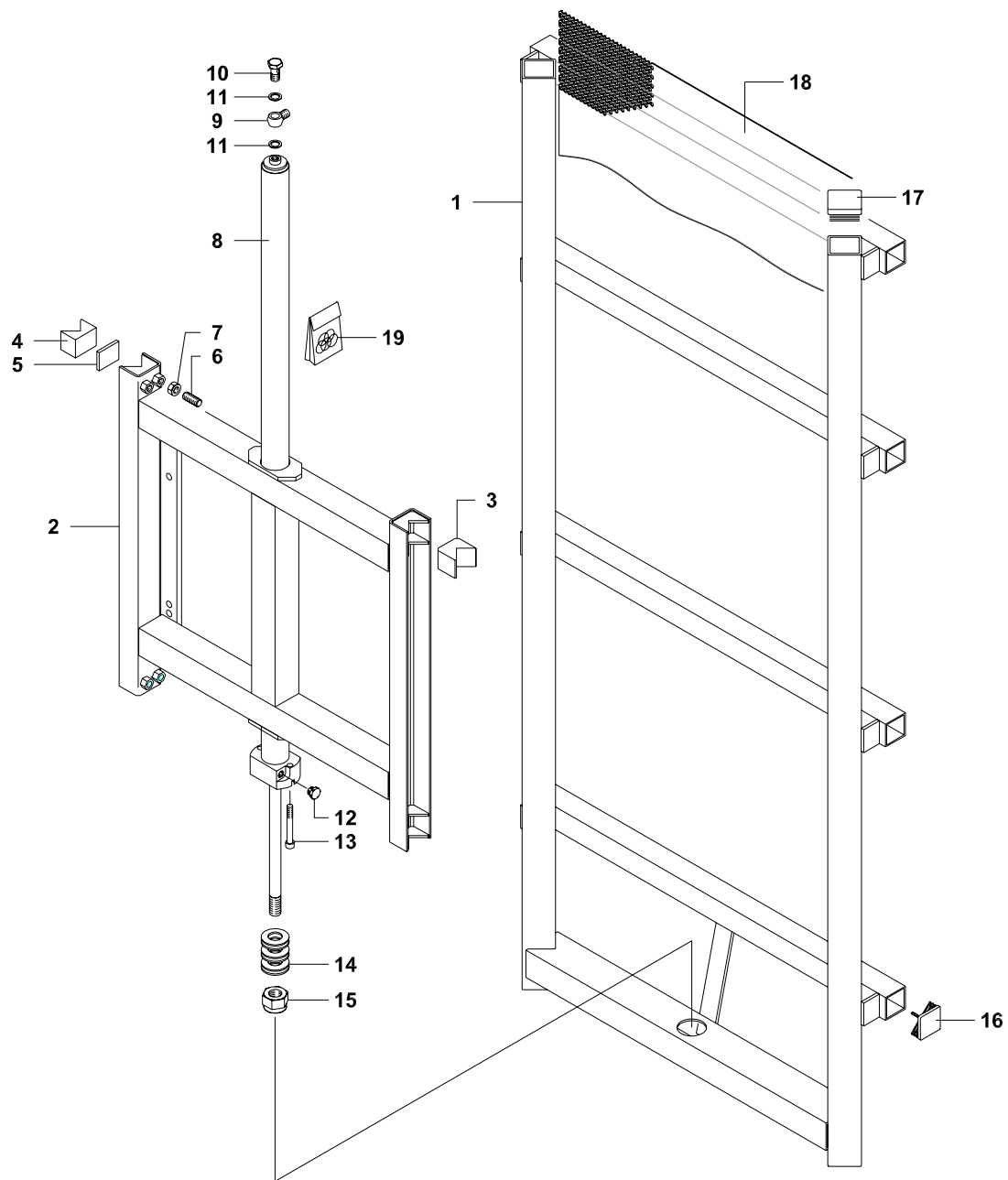
1	BG002704
2	BG013809
3	GG900110030Z
4	GG905400010
6	GG300600155V
7	GG300600156V
8	GG919900055V
9	GG300600074V
10	GG900312120Z
11	GG907112036Z
12	GG905300012
13	GG500400024
14	GGA004542234H
15	GGA00G10061
16	GGA002502041
17	GGA00G40004
18	GGA002052040
19	GGA002502040
20	GGA00116425
21	GGA00G10041
22	GGA002002040
23	GG562501000
24	GG919725035X
25	GG564080000
26	GG919727051X
27	GGA00504015
28	BG020104
29	BG002728
30	GG907008017Z
31	GG905400008
32	GGA00215040
33	BG002197
34	GGA00116635
35	GGA002002060
36	BG012132



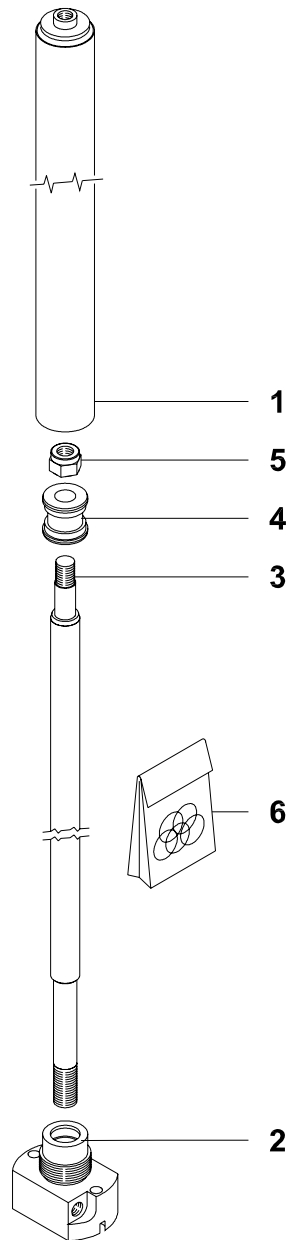
1	BG013822	
2	GG900112035Z	
3	GG907200012Z	
4	GG900314050Z	
5	GG905300014	
6	GG907014028Z	
7	GG443000095V	
8	GG501100220V	Q=40
8	GG501100219V	Q=50
9	GG500500001Z	Q=40
9	GG500500002Z	Q=50
10	GG905300010	
11	GG500100138Z	
12	GG500100082	
13	GG907025044Z	
14	GG905400024	
15	BG0133825	
16	GG907010021Z	
17	GG900110035Z	
18	BG018707	



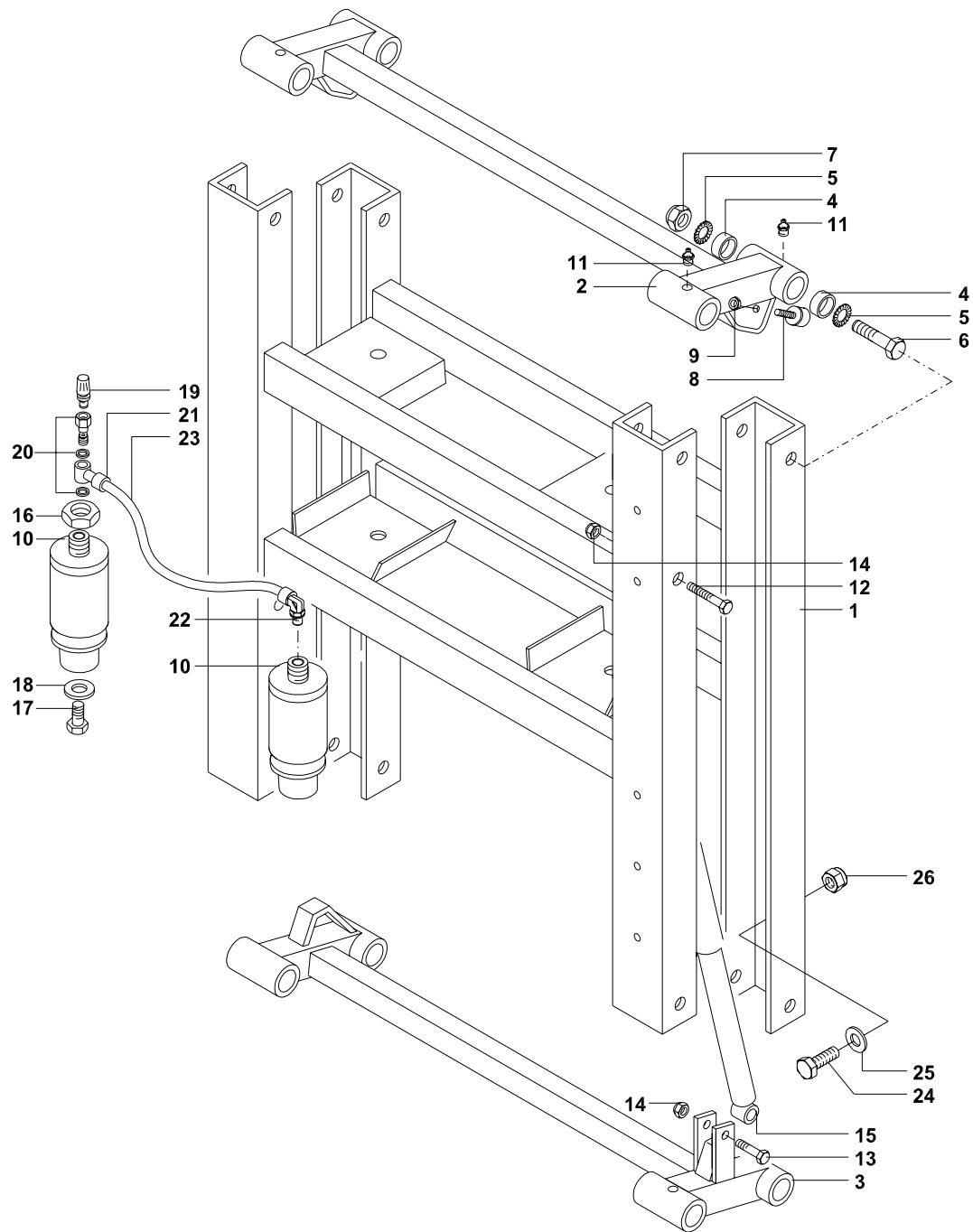
1	GG392000066V
2	GG392000070V
3	GG500500002Z
4	GG905300010
5	GG392000205Z
6	GG900316080Z
7	GG905400016
8	GG900320070Z
9	GG905400020
10	GG907021037Z



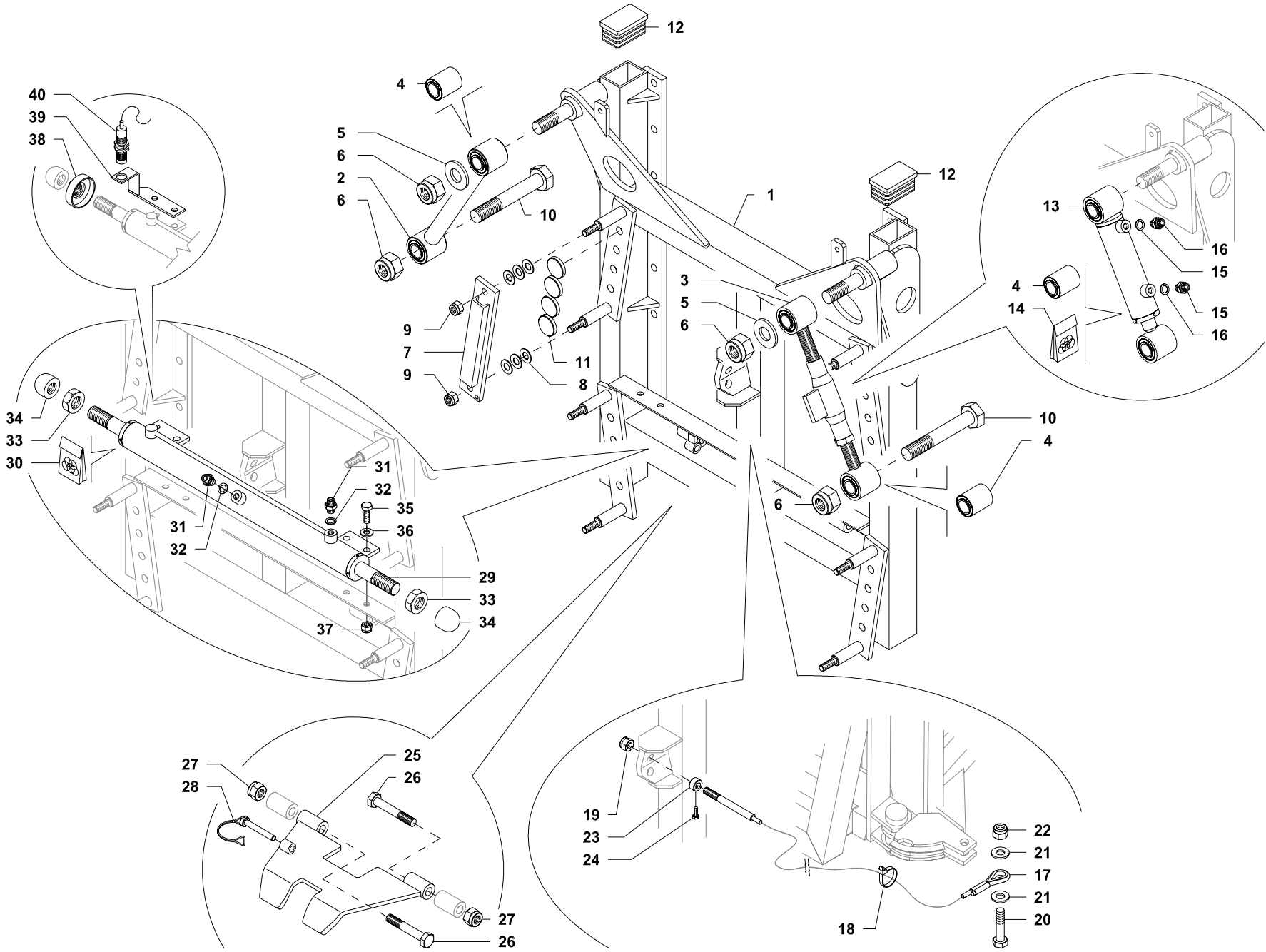
1	BG020417
2	BG020418
3	GG350100036
4	GG350100035
5	GG350100032Z
6	GG902112035Z
7	GG905100012Z
8	GG702540002V
9	GG570100030Z
10	GG570100031Z
11	BB50243113
12	GG740000073
13	GG900510050Z
14	GG912050B25
15	GG905300020
16	GG950150050
17	GG950160060
18	BG020420
19	GG996000198
20	BG020337
21	GG900308035Z
22	GG905400008
23	GG950200070
24	GG999900019Z
25	GG500500009Z
26	GG907012025Z
27	GG905300012



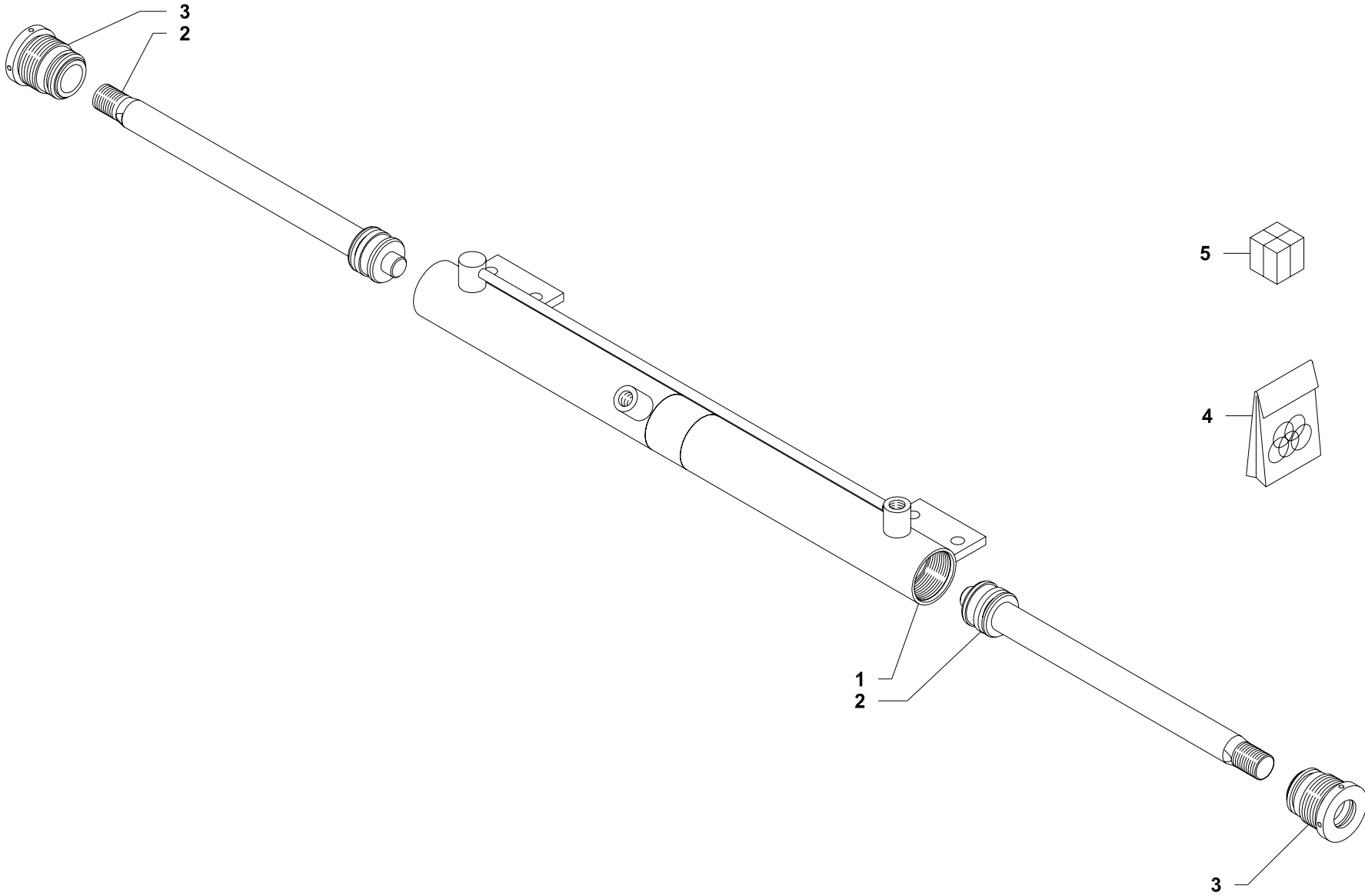
1	GG700400002
2	GG702540403
3	GG702500002
4	GG702540604
5	GG905415016
6	GG996000198
7	GG702540002V



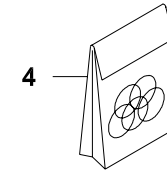
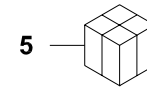
1	GG383800005V	
2	GG383800009V	
3	GG383800010V	
4	GG500200055	
5	GG907302019Z	
6	GG500500015Z	
7	GG905400018	
8	GG950200001	
9	GG905400008	
10	GG820200080	
11	GG919800020	
12	GG900312100Z	
13	GG900312070Z	
14	GG905400012	
15	GG820200101	
16	GG905500011	
17	GG900112025Z	
18	GG907112036Z	
19	GG820110100	
20	GG820110003	
21	GG820110002	
22	GG820110004	
23	GG560684345	
24	GG900112035Z	
25	GG907012025Z	
26	GG905400012	

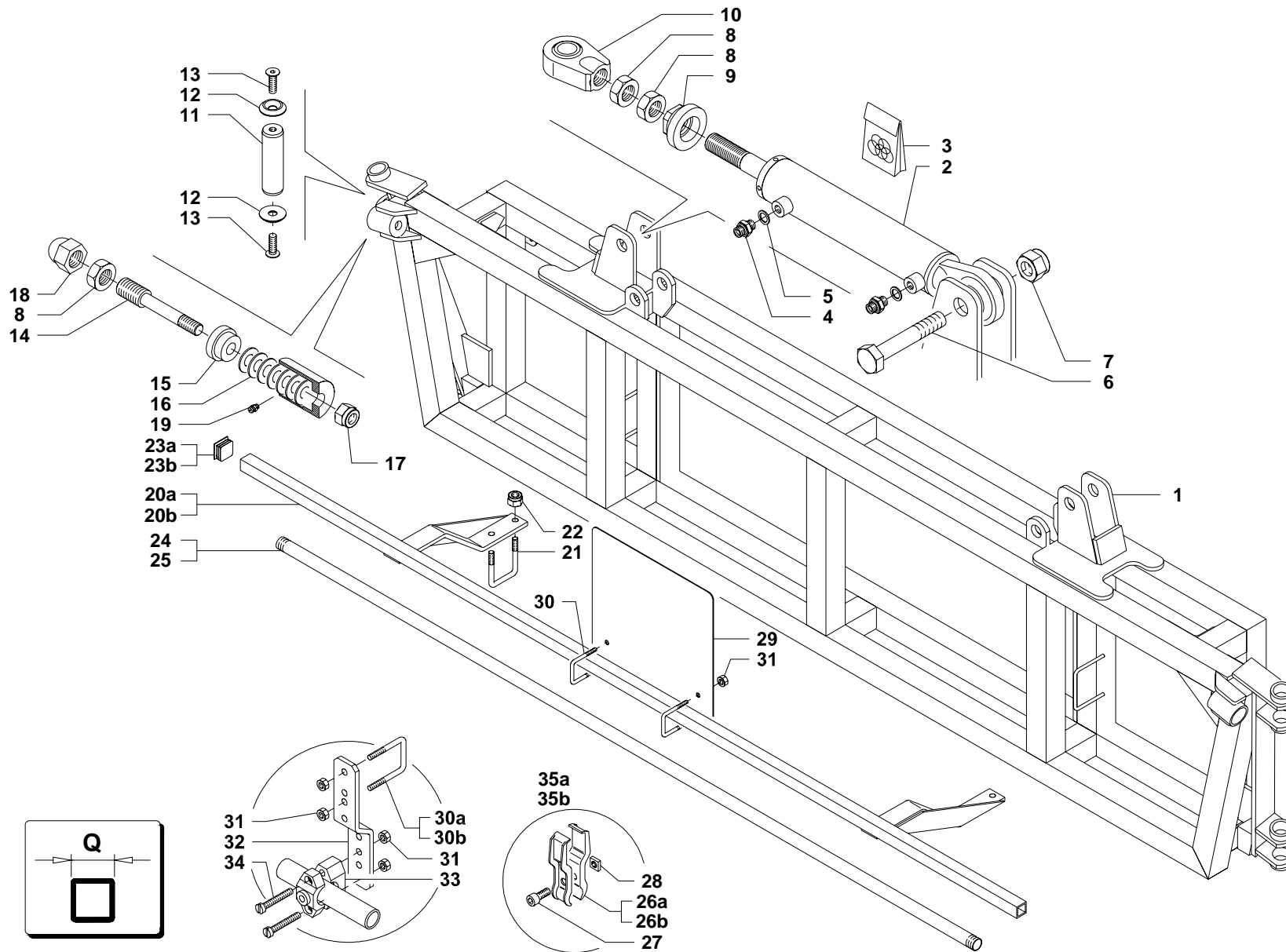


1	GG382000700V
2	GG993802001V
3	GG993802002Z
4	GG950300002
5	GG500400019Z
6	GG905400024
7	GG993806003V
8	GG911225915
9	GG905400012
10	GG900324110Z
11	GG950200020
12	GG950170050
13	GG702540001V
14	GG996000196
15	GG570500006Z
16	GG600500001
17	GG500700073
18	GG919700120
19	GG905300012
20	GG900314060Z
21	GG907014028Z
22	GG905300014
23	GG919800060Z
24	GG900106010Z
25	GG363800020V
26	GG900316120Z
27	GG905400016
28	GG919800003Z
29	GG702540010V
30	GG996000178
31	GG570500011Z
32	GG600500001
33	GG905200022Z
34	GG501100007
35	GG900110035Z
36	GG907010021Z
37	GG905300010
38	BG002074
39	BG002073
40	BG002087

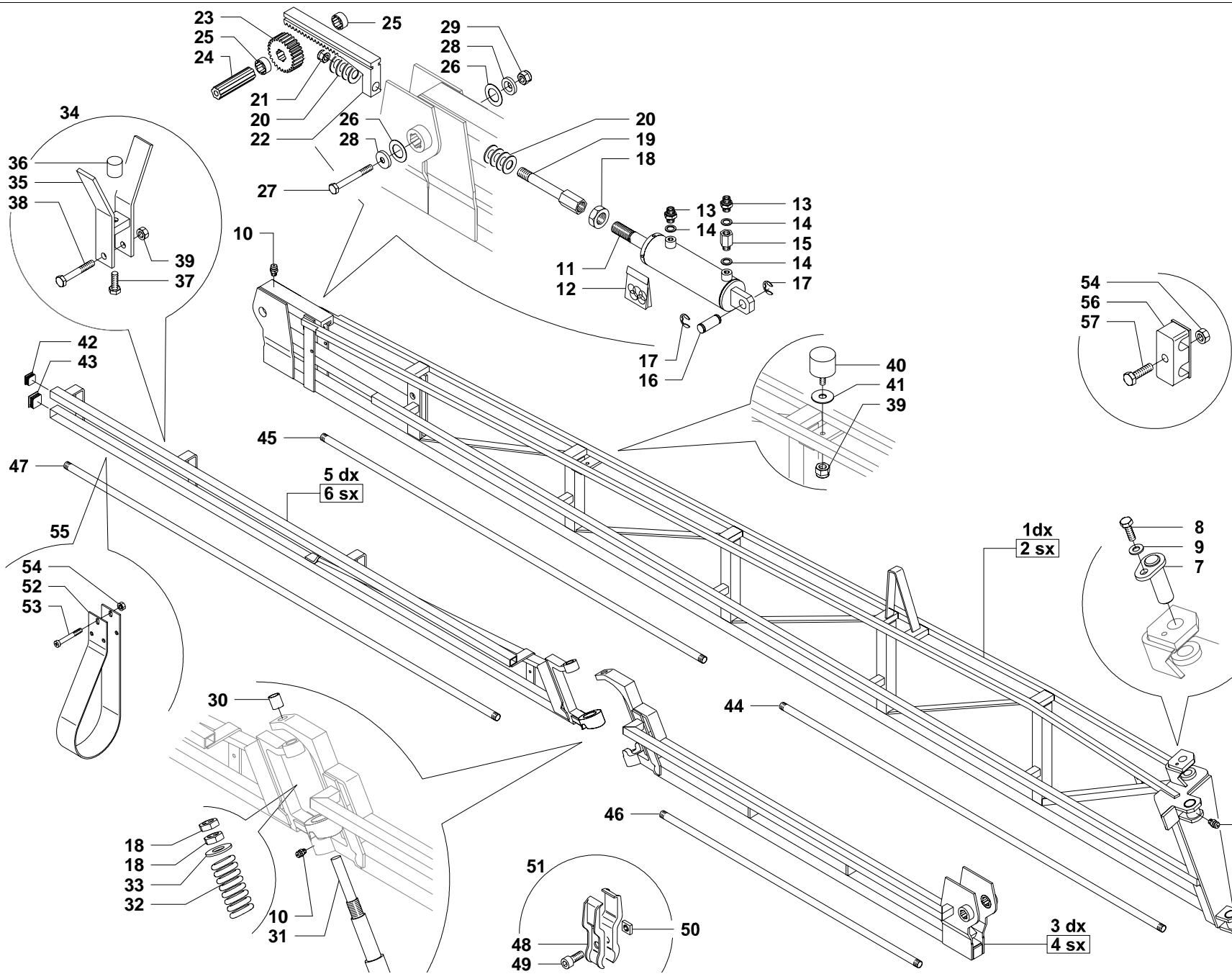


- 1 GG700040012
- 2 GG702500034
- 3 GG702540405
- 4 GG996000178
- 5 GG702540010V

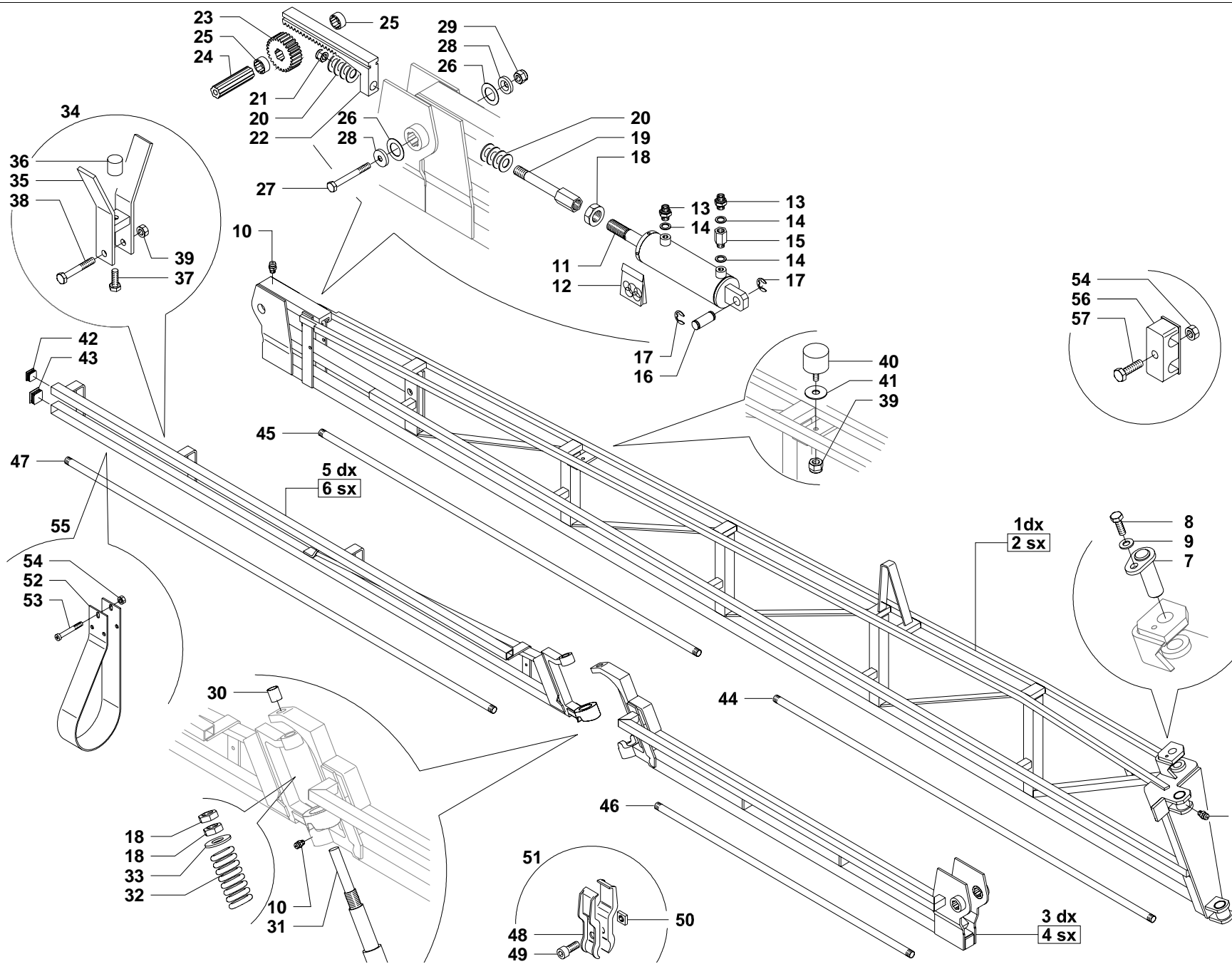




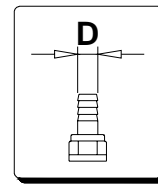
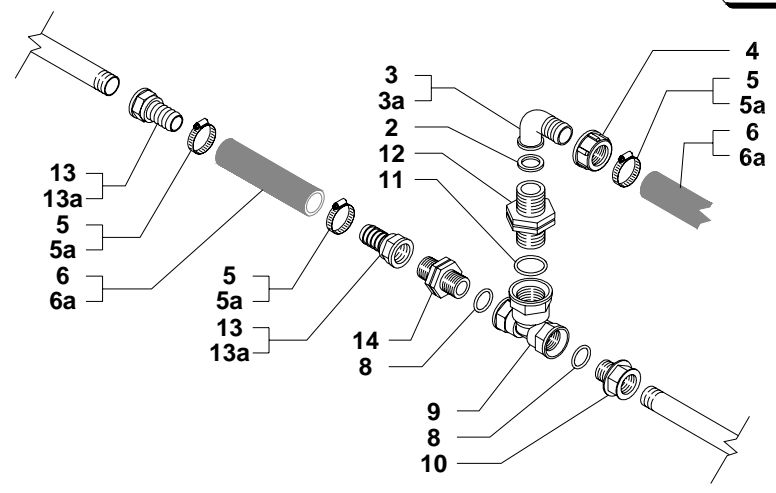
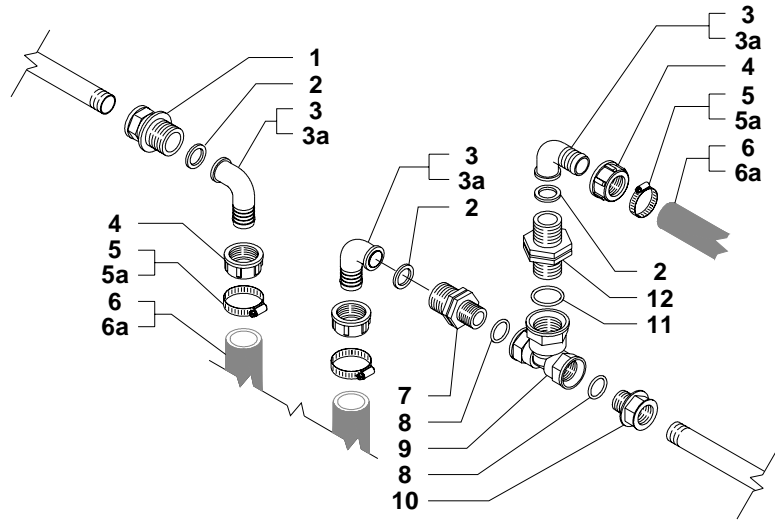
1	GG201800700V	
2	GG702550026V	
3	GG996000189	
4	GG570500008Z	
5	GG600500001	
6	GG900324090Z	
7	GG905400024	
8	GG905200024Z	
9	GG500300025V	
10	GG920100034Z	
11	GG500100005	
12	GG500400004Z	
13	GG900710025Z	
14	GG500100068Z	
15	GG500400016Z	
16	GG911634920	
17	GG905400016	
18	GG905500054	
19	GG919800020	
20a	GG201800415V	Q=30
20b	GG201800417V	Q=25
21	GG500500002Z	
22	GG905300010	
23a	GG950130030	Q=30
23b	GG950125025	Q=25
24	GG550401500	4 fori/holes
25	GG550501500	5 fori/holes
26a	GG500600002Z	Q=30
26b	GG500600001Z	Q=25
27	GG900508022Z	
28	GG906000008Z	
29	GG201800065V	
30a	GG500500004Z	Q=30
30b	GG500500022Z	Q=25
31	GG905300006	
32	GG201800418V	
33	GGA00425130	
34	GG904506040X	
35a	GG999900004Z	Q=30
35b	GG999900002Z	Q=25



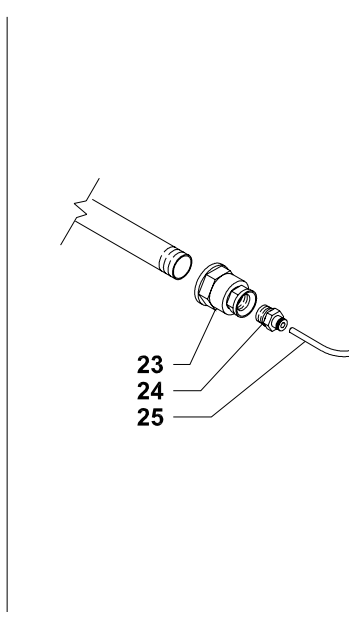
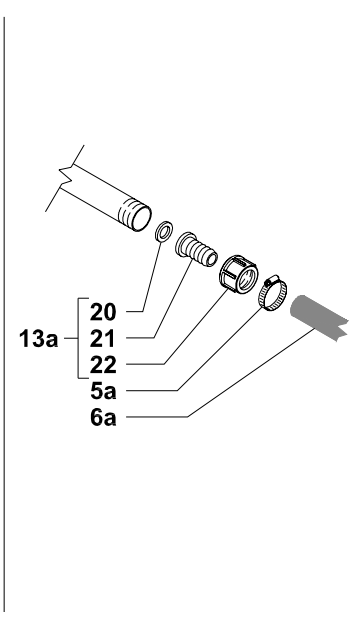
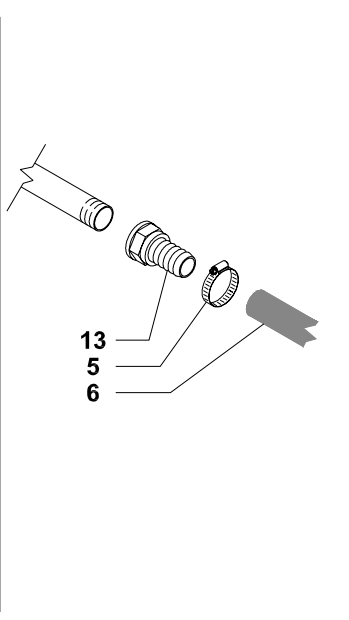
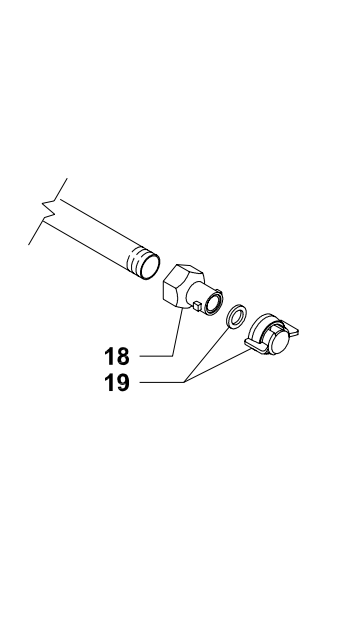
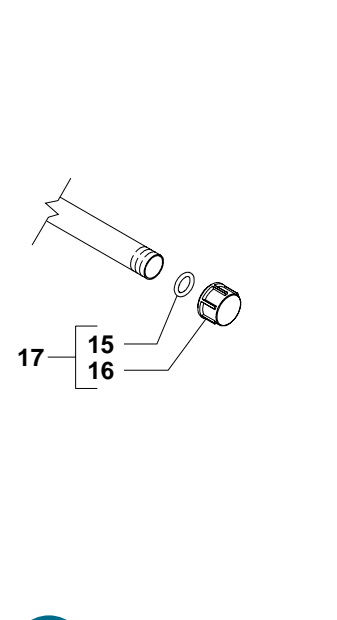
1	GG201800260V
2	GG201800261V
3	GG201800225V
4	GG201800226V
5	GG201600290V
6	GG201600291V
7	GG500100055V
8	GG900110025Z
9	GG907200010Z
10	GG919800020
11	GG702560013V
12	GG996000180
13	GG570500007Z
14	GG600500001
15	GG740000016Z
16	GG500100014Z
17	GG919800030
18	GG905200024Z
19	GG500500019Z
20	GG912040925
21	GG905400020
22	GG510200012Z
23	GG510100018Z
24	GG510100020
25	GG500200011
26	GG500400011
27	GG900312140Z
28	GG500400006Z
29	GG905400012
30	GG500200049
31	GG500100111Z
32	GG919900023Z
33	GG500400019Z
34	GG999900012Z
35	GG241500033V
36	GG950200002
37	GG900508012Z
38	GG900308050Z
39	GG905400008
40	GG950200001
41	GG907110040Z
42	GG950125025
43	GG950130030
44	GG550401500
45	GG550401500
46	GG550301500
47	GG550501500
48	GG500600001Z
49	GG900508012Z
50	GG906000008Z
51	GG999900002Z

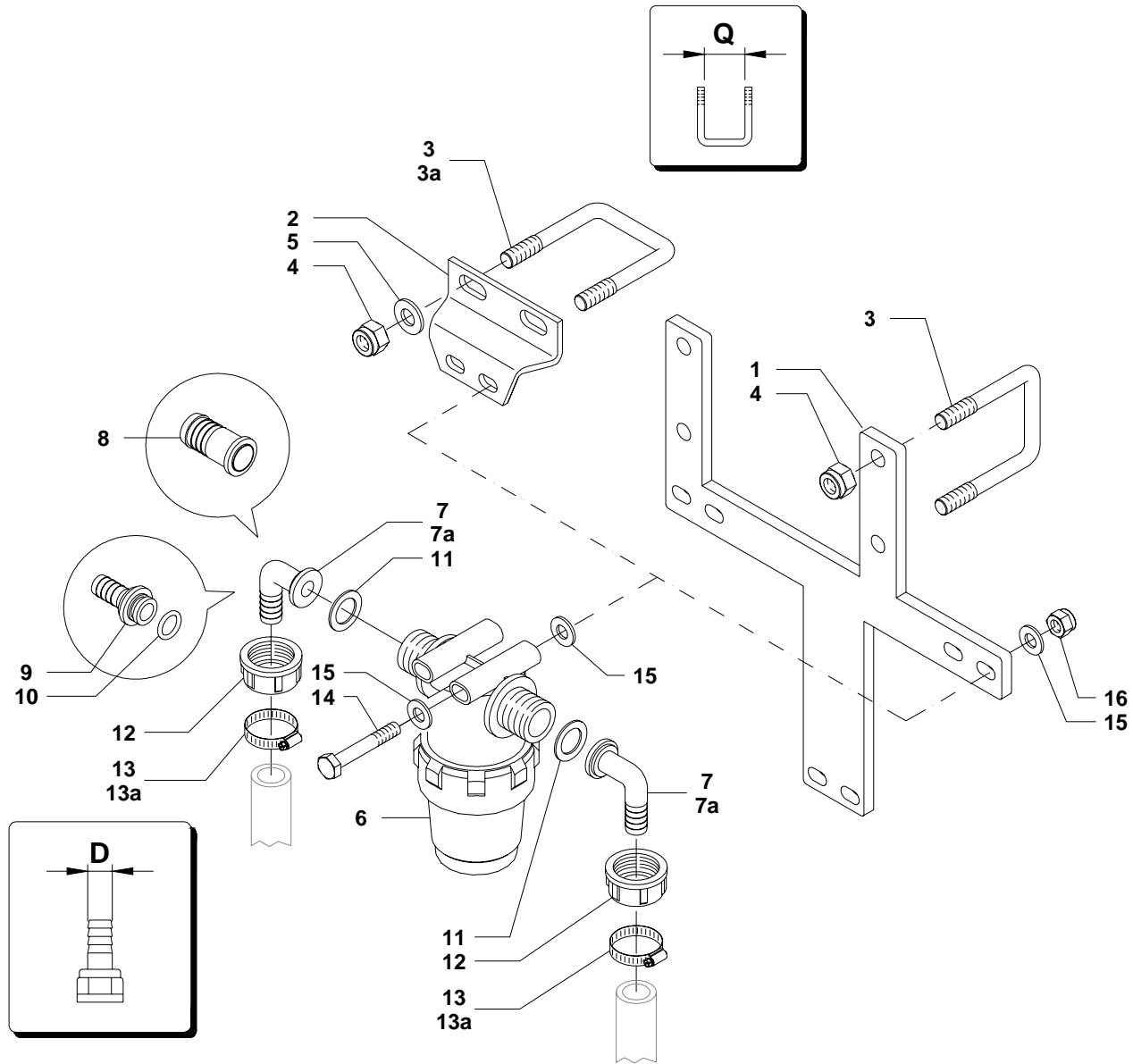


- 52 GG121200008Z
- 53 GG904906045Z
- 54 GG905300006
- 55 GG999900003Z
- 56 GG950200058
- 57 GG900306035Z

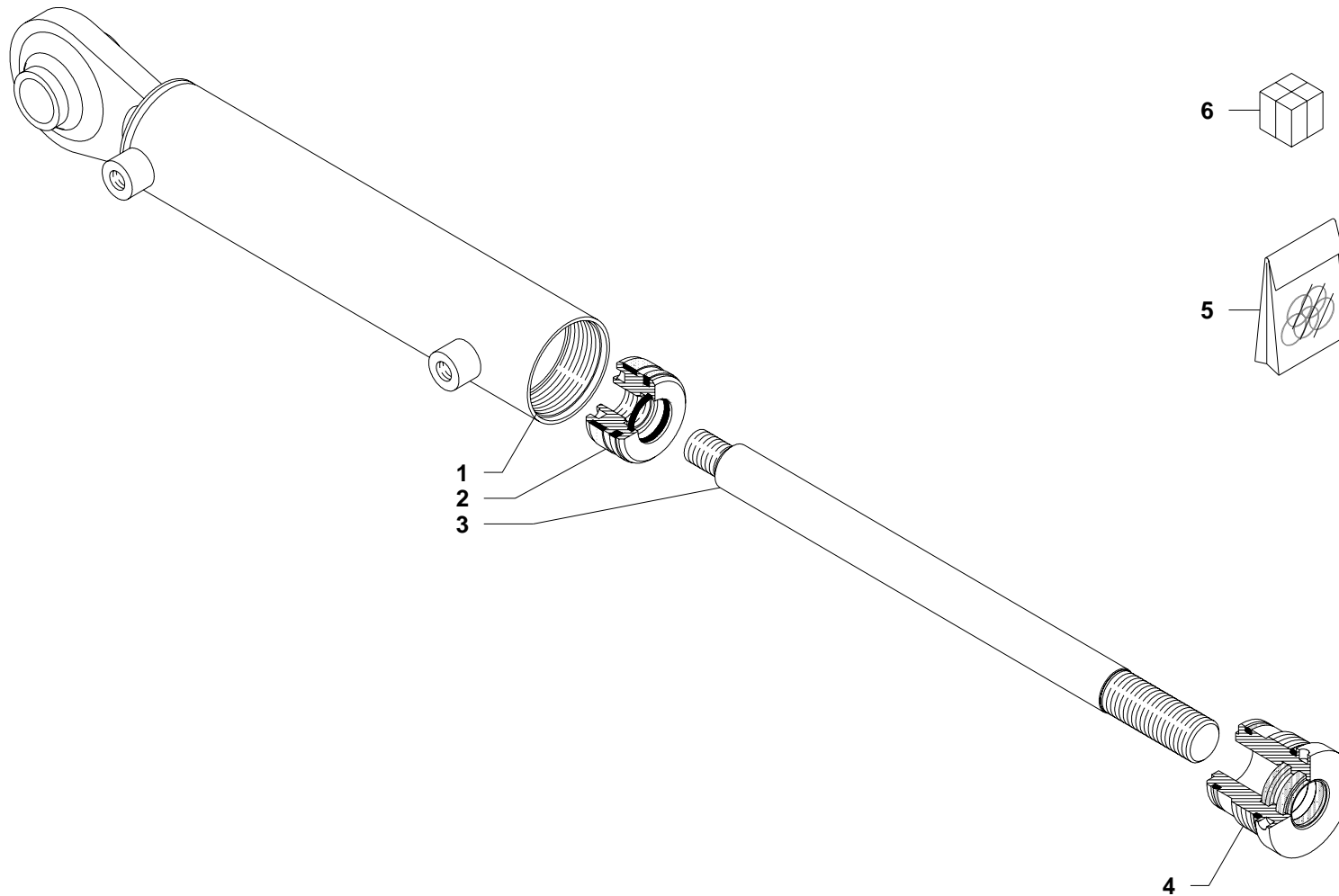


1	GGA002452032S	
2	GGA00G40013	
3	GGA00115320	D=19
3a	GGA00115313	D=13
4	GGA002002030	
5	GG919714027X	D=19
5a	GG919711020X	D=13
6	GG561900000	D=19
6a	GG561300000	D=13
7	GGA00240023	
8	GGA00G10041	
9	GGA001302032	
10	GGA002452022	
11	GGA4062000.060	
12	GGA002502030	
13	GGA00100219	D=19
13a	GG999900035	D=13
14	GGA002502020	
15	GGA00G10020	
16	GGA002102020	
17	GG999900008	
18	GGA00400277	
19	GGA00402909	
20	GGA00G40012	
21	GGA00105213	
22	GGA002002020	
23	GGA002352020	
24	GG820110007	
25	GG560284000	

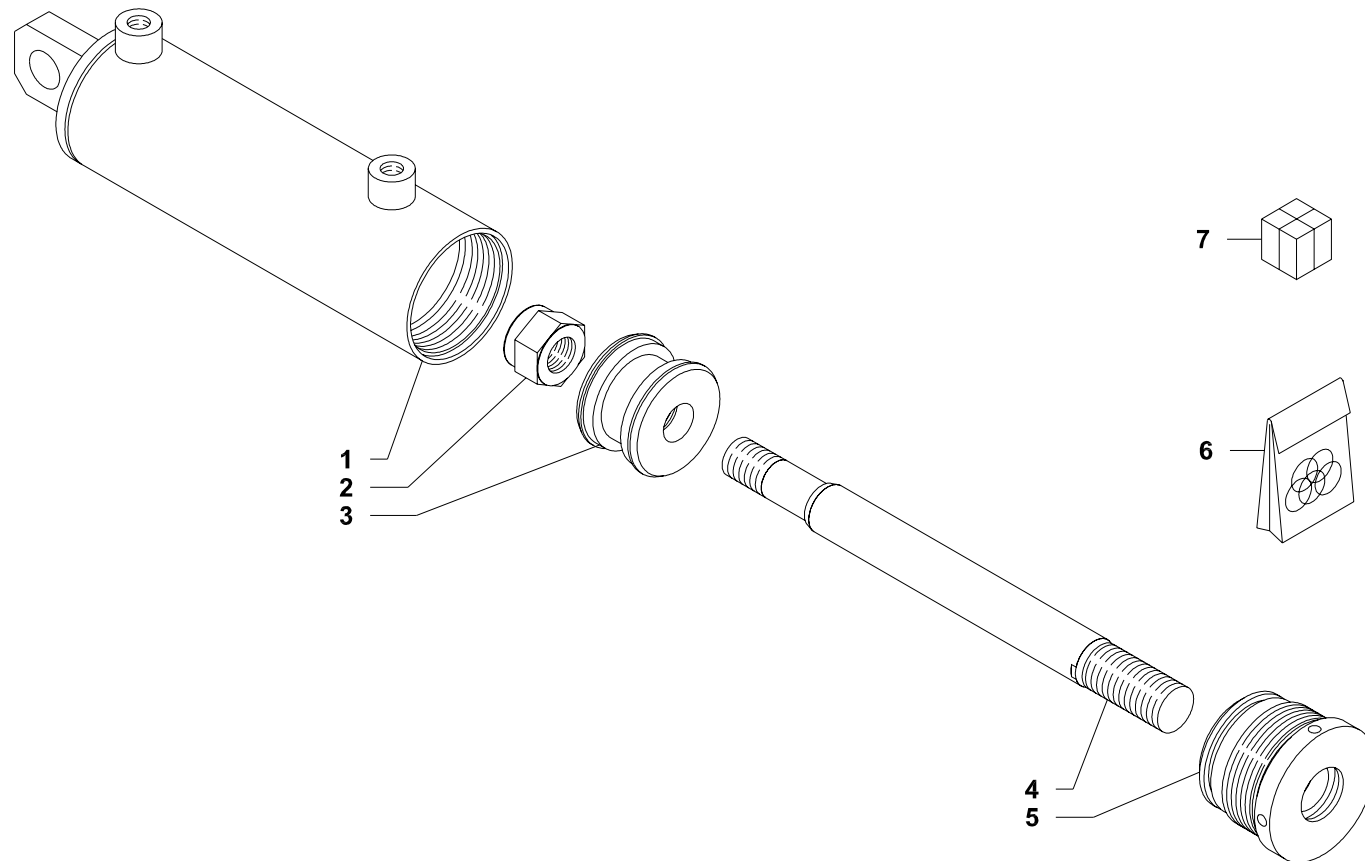




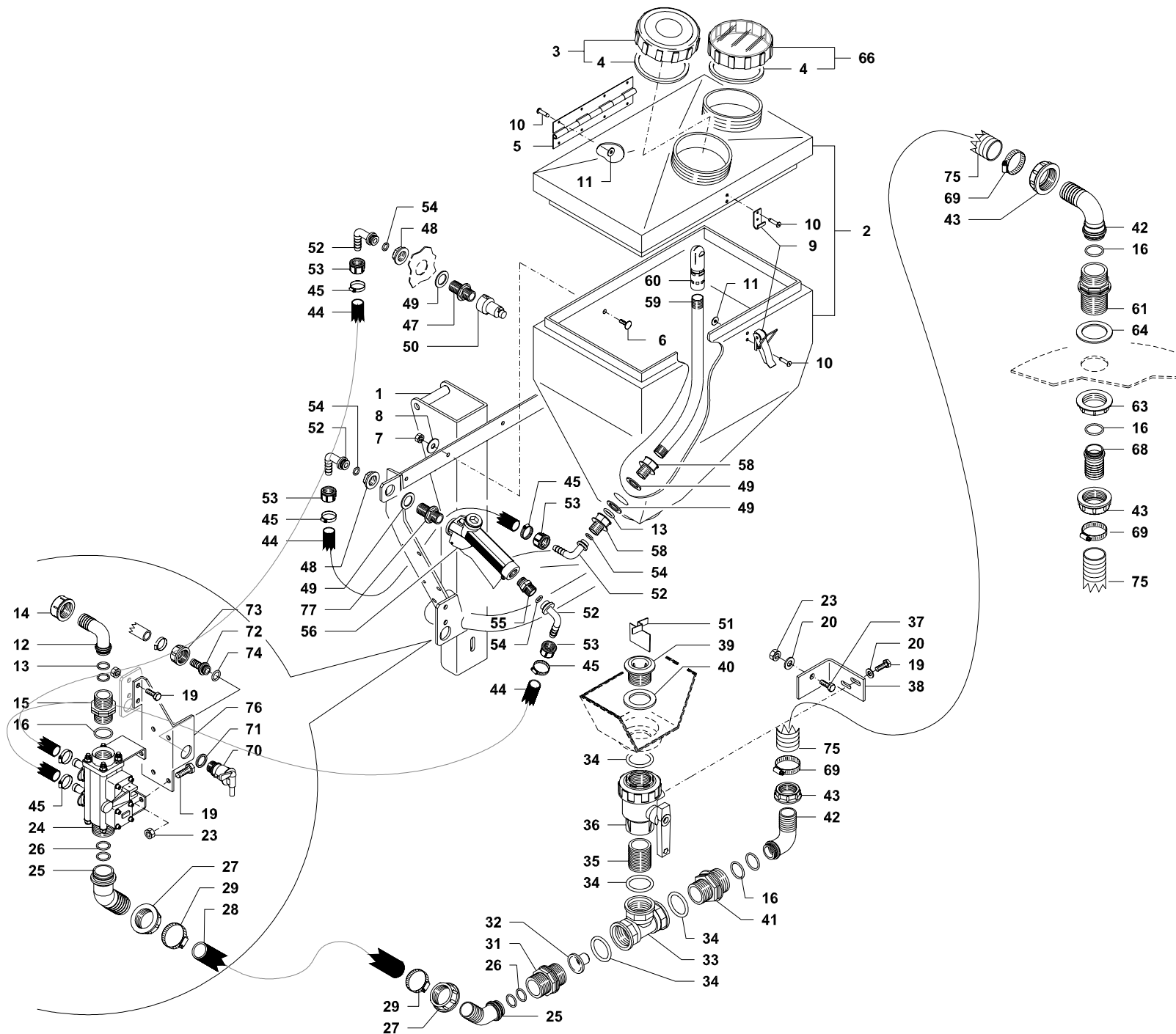
1	GG501100020V	
2	GG501100021V	
3	GG500500002Z	Q=50
3a	GG500500001Z	Q=40
4	GG905300010	
5	GG907010021Z	
6	GGA003222034	
7	GGA00115313	D=13
7a	GGA00115320	D=19
8	GGA00105320	D=19
9	GGA00106313	D=13
10	GGA00G10031	
12	GGA00G40013	
13	GG919711020X	D=13
13a	GG919714027X	D=19
14	GG900308075Z	
15	GG907008017Z	
16	GG905400008	



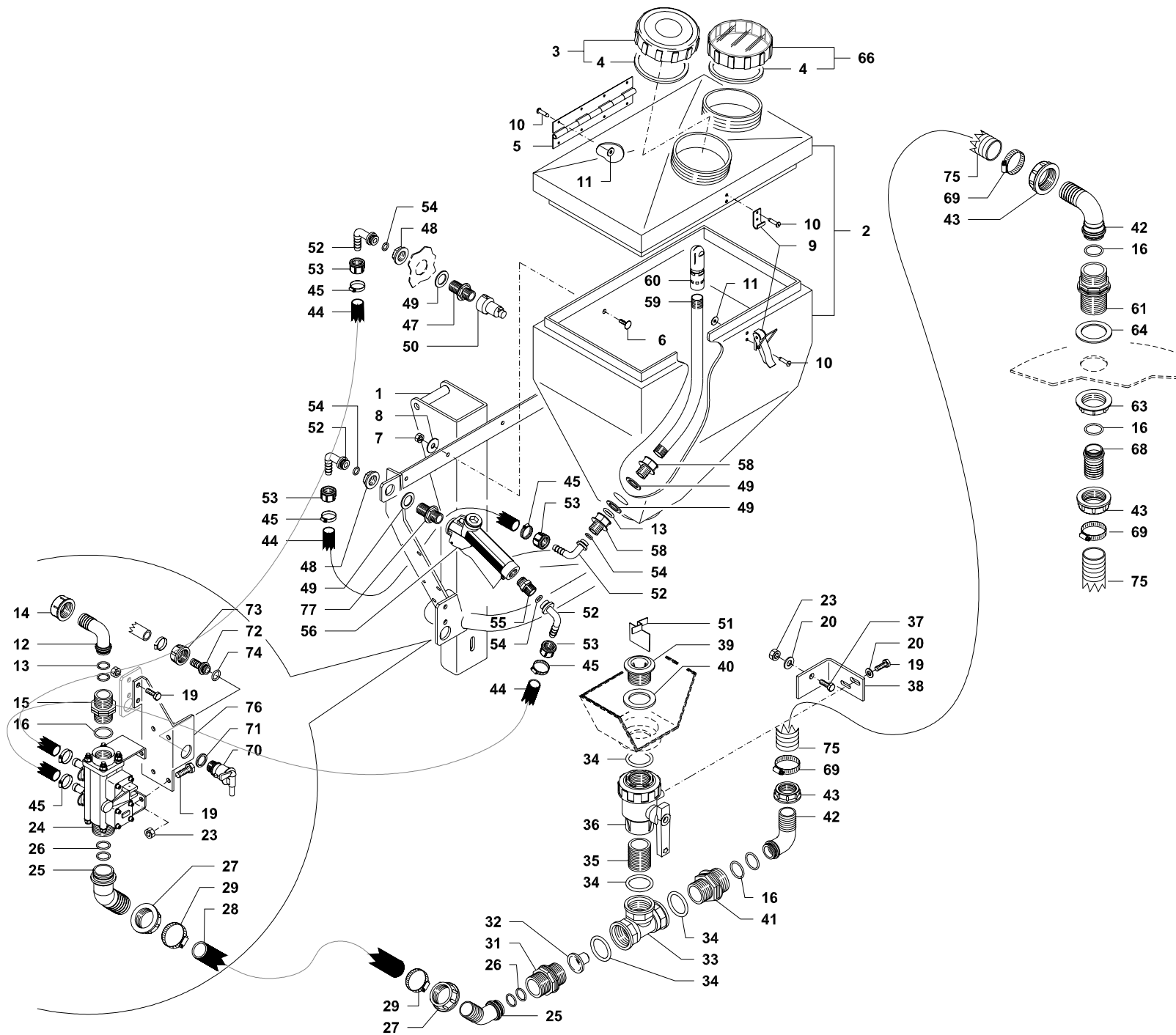
- 1 GG700050033
- 2 GG702550609
- 3 GG702500038
- 4 GG702550407
- 5 GG996000189
- 6 GG702550026V




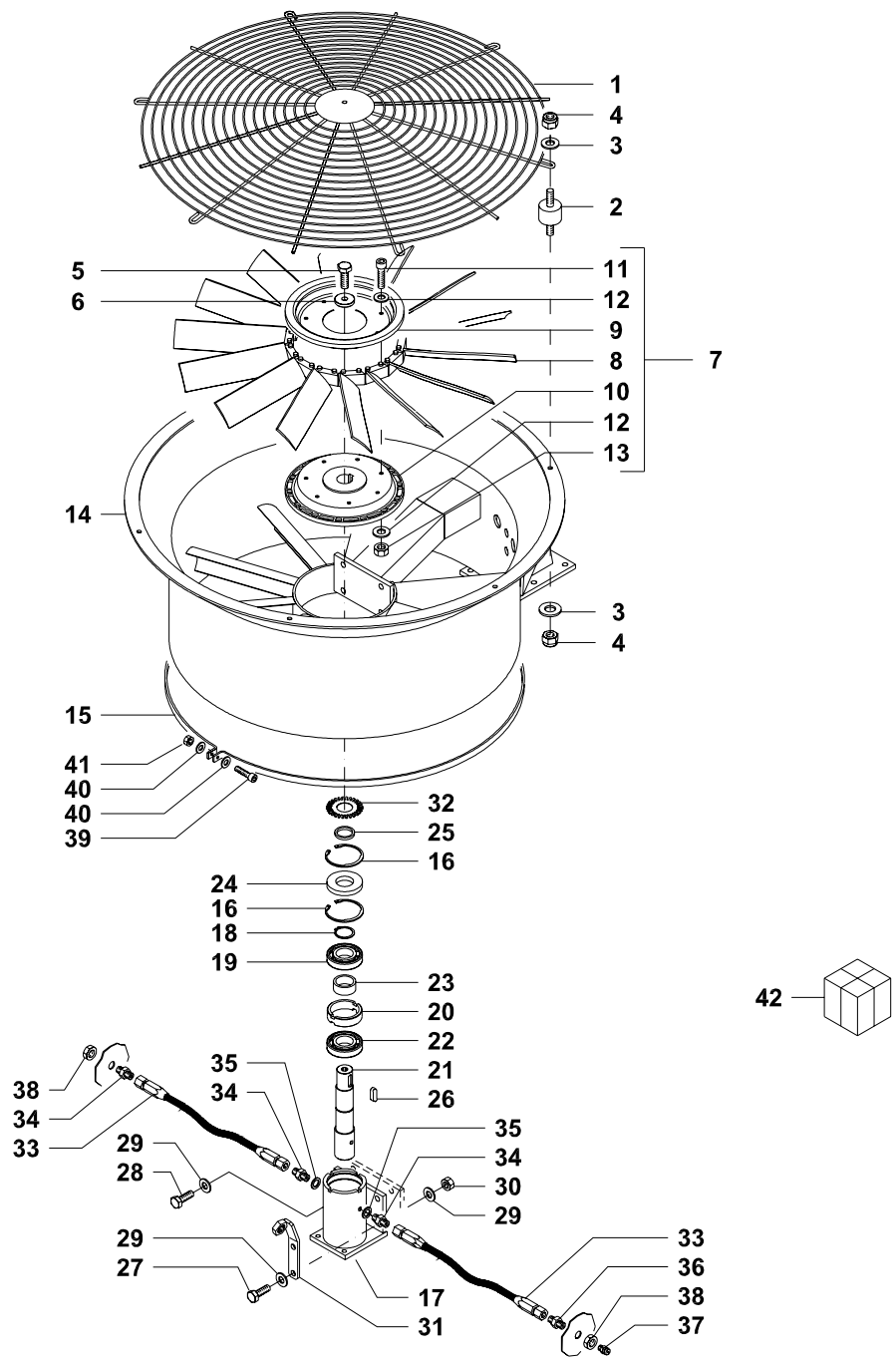
- 1 GG700060020
- 2 GG905315020
- 3 GG702560608
- 4 GG702500025
- 5 GG702560409
- 6 GG996000180
- 7 GG702560013V



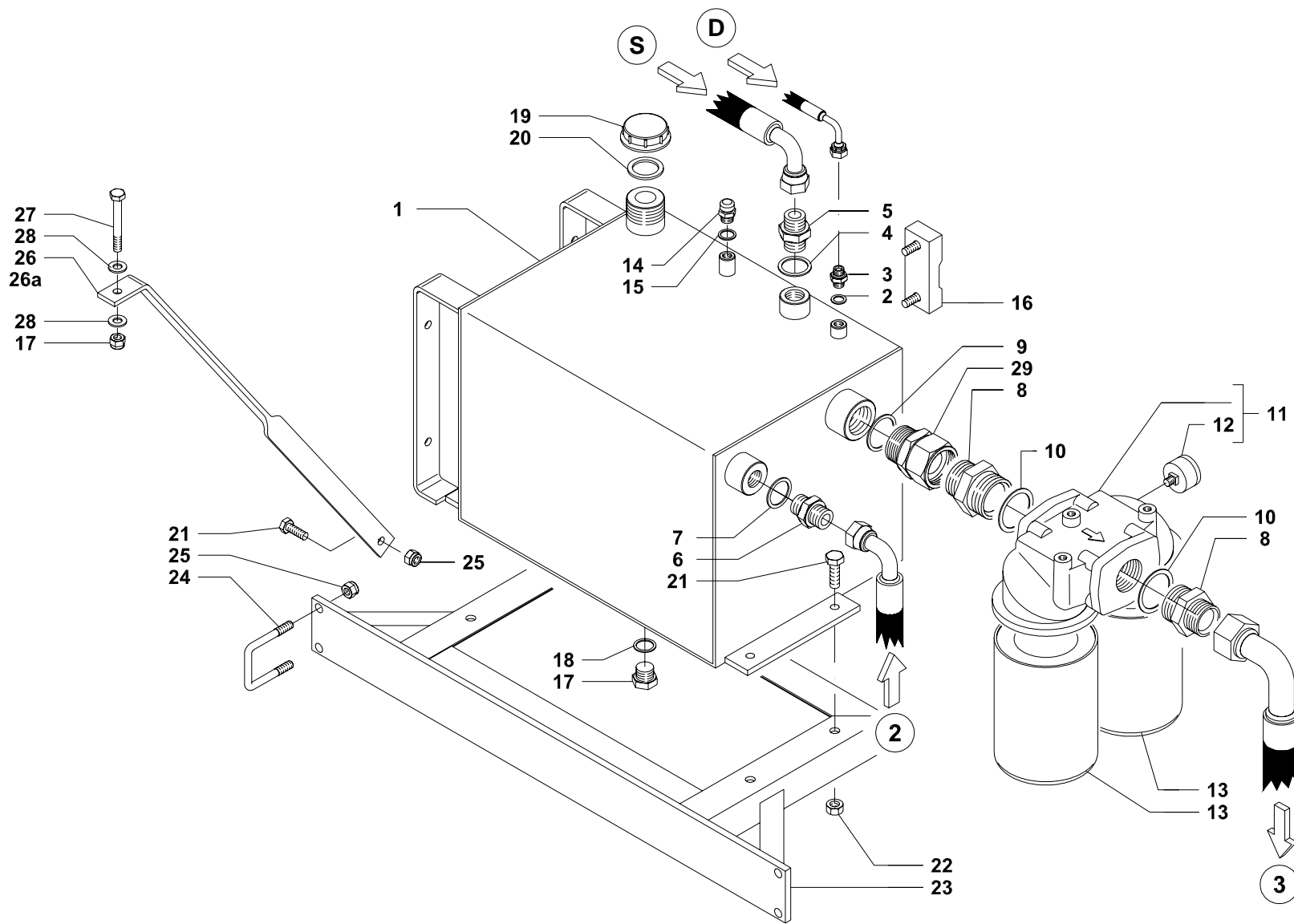
1	BG020329
2	GG612510030
3	BG013981 F3
4	GG680000039
5	GG680001023
6	GG904706020X
7	GG905400006X
8	GG907106018X
9	GG680001024
10	GG680001125
11	GG907104012X
12	GGA00116425
13	GGA00G10041
14	GGA002002040
15	GGA002502040
16	GGA00G10061
19	GG900108016Z
20	GG907008017Z
23	GG905400008
24	BG019234
25	GGA00117530
26	GGA00G10051
27	GGA002002050
28	GG563072000
29	GG919727051X
31	GGA002502050
32	GG680001042
33	GGA001302050
34	GG600206162
35	GGA00230551
36	GGA004542135
37	GG900108025Z
38	BG020330
39	GGA00220050S
40	GGA00G40005
41	GGA002402065
42	GGA00116640
43	GGA002002060
44	GG561001000
45	BG019266
47	GGA002502021S
48	GGA002052020
49	GGA00G40002
50	GG680001020
51	GG680001026
52	GGA00116210
53	GGA002002020
54	BG019117
55	BG019372
56	BG019371



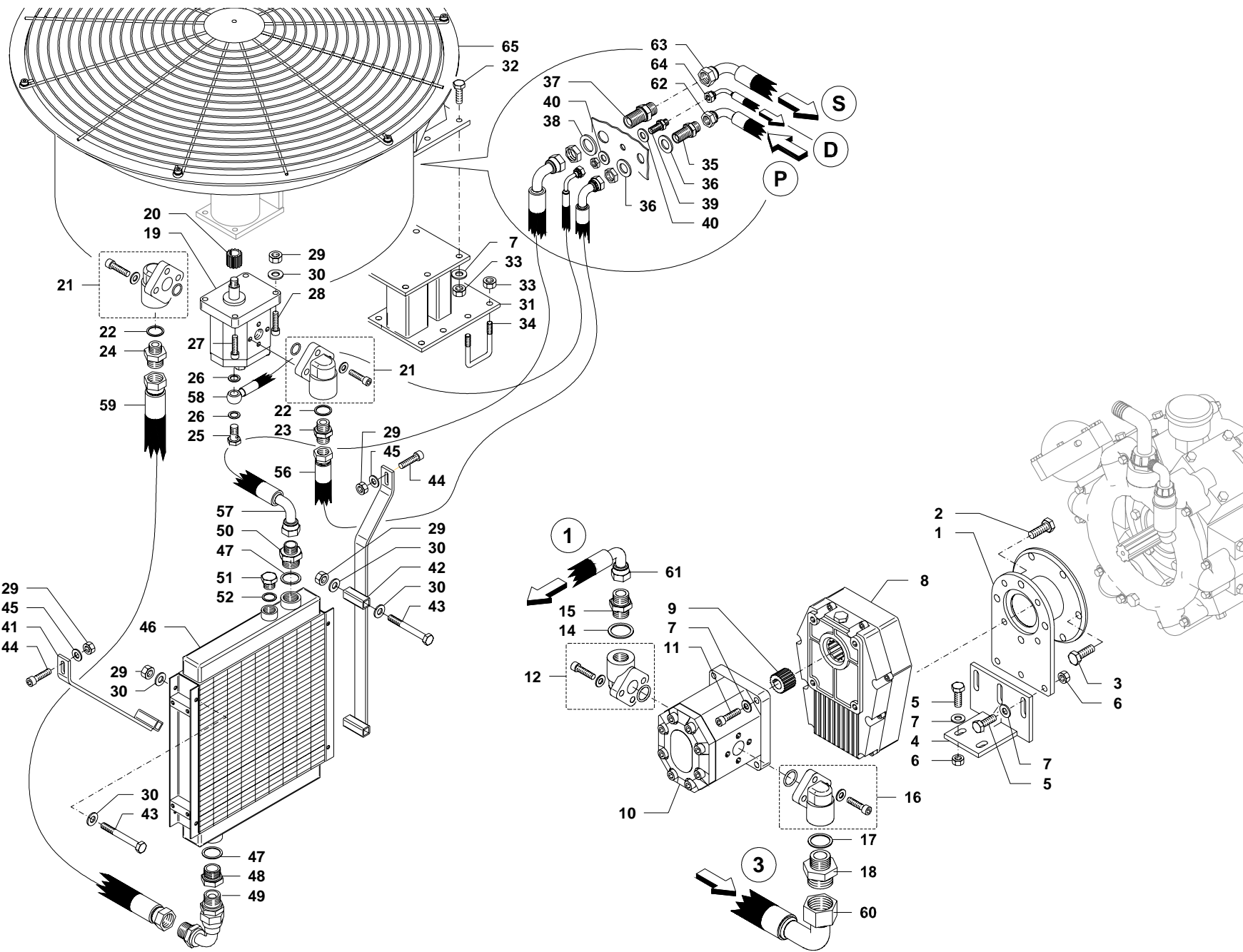
	
58	GGA002452022
59	GG550110011
60	GGA00510110
61	GGA002502061S
63	GGA002052060
64	GGA00G40006
66	BG013981 N3
68	GGA00106640
69	GG919732044X
70	GG630100020
71	GGA00G40003
72	GGA00106313
73	GGA002002030
74	GGA00G10031
75	GG564080000
76	BG001988
77	GGA002502021



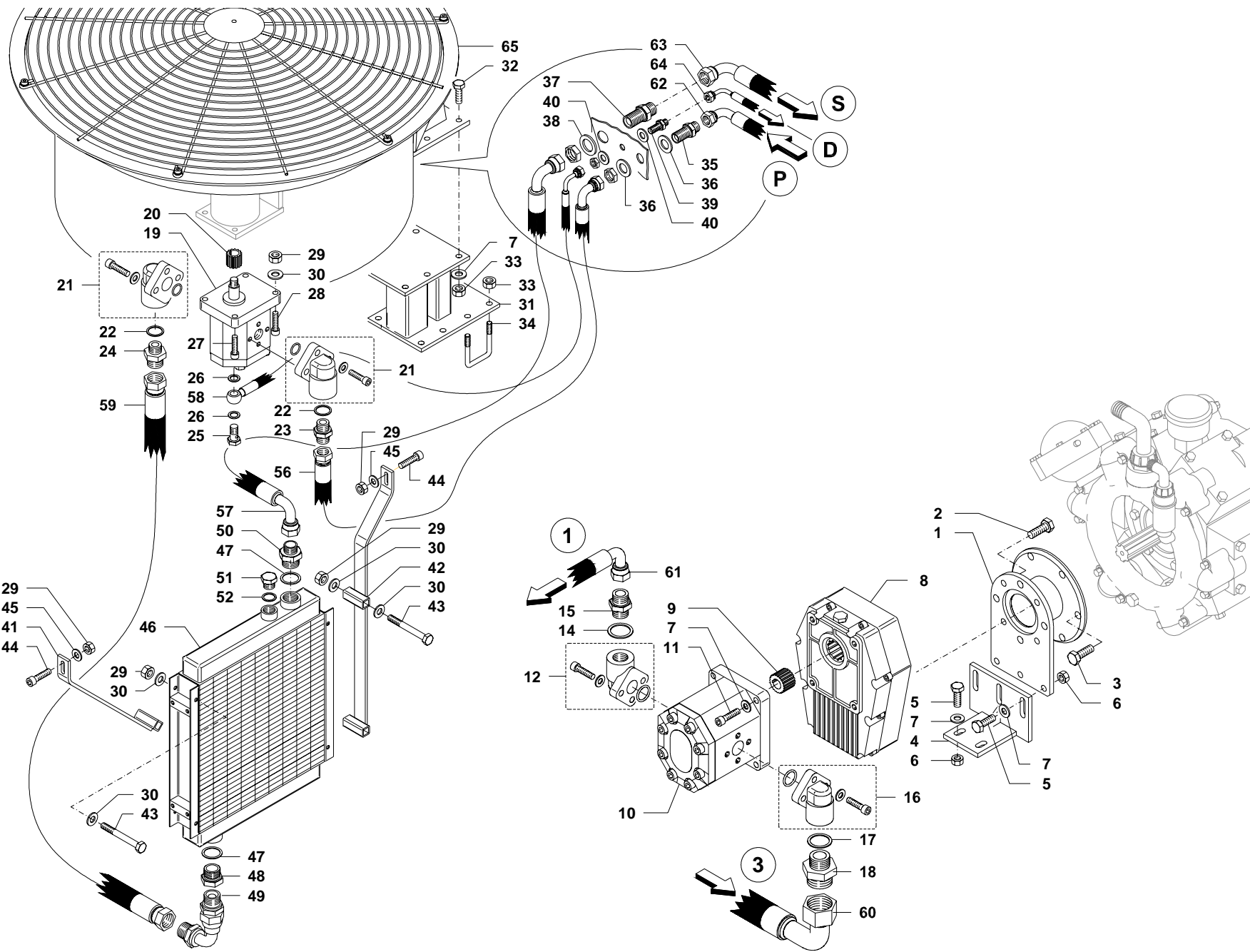
1	GG680100051	
2	BG008046	H=15 mm
2	BG013621	H=8,5 mm
3	GG907106018Z	
4	GG905300006	
5	GG680100052	
6	GG680100053	
7	GG680100056	
8	GG680100063	
9	GG680100031	
10	GG680100032	
11	GG900506020Z	
12	GG907106018Z	
13	GG905300006	
14	GG680100045	
15	GG680100034	
16	GG680100058	
17	GG680100046	
18	GG680100035	
19	GG680100069	
20	GG680100066	
21	GG680100048	
22	BG012292	
23	GG680100037	
24	GG600900003	
25	GG680100038	
26	GG680100068	
27	GG900310040Z	
28	GG900110035Z	
29	GG907010021Z	
30	GG905300010	
31	GG680100044	
32	GG680100039	
33	GG680100050	
34	GG680100042	
35	GG680100043	
36	GG680100040	
37	GG919800020	
38	GG680100041	
39	GG900508040Z	
40	GG907105015X	
41	GG905400005	
42	GG680100097	



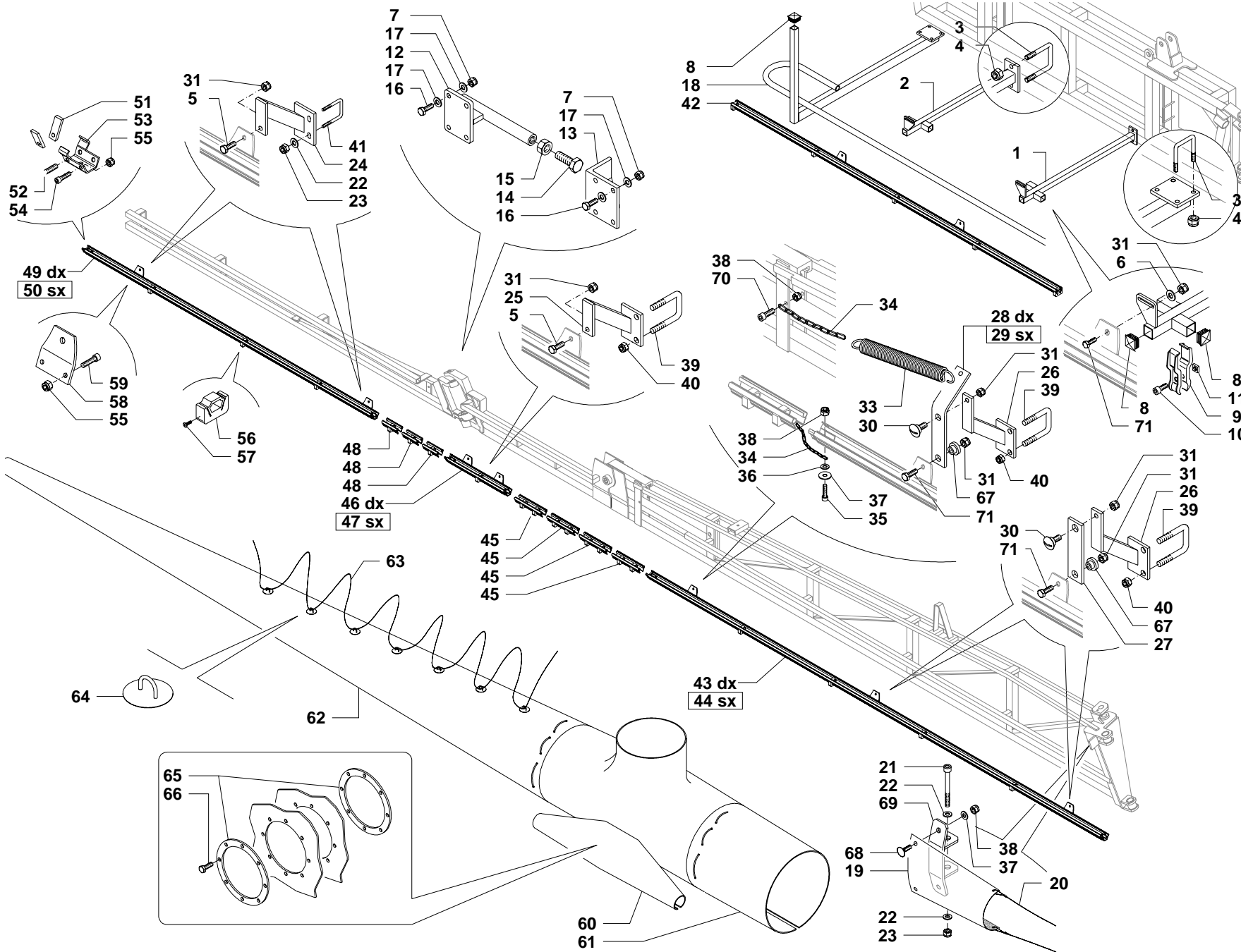
1	GG750100001V
2	GG600500001
3	GG740000013Z
4	GG600500003
5	GG740000005Z
6	GG740000018Z
7	GG600500006
8	GG740000121Z
9	GG600500007
10	GG600500012
11	GG750400082
12	GG750400037
13	GG750400086
14	GG750400111
15	GG600500002
16	GG750400020
17	GG740000070Z
18	GG600500005
19	GGA002102060
20	GGA00G40004
21	GG900110025Z
22	GG905400010
23	GG501100045V
24	GG500500002Z
25	GG905300010
26	GG501100053V
26a	GG501100065V
27	GG900310070Z
28	GG907111030Z
29	BG014319



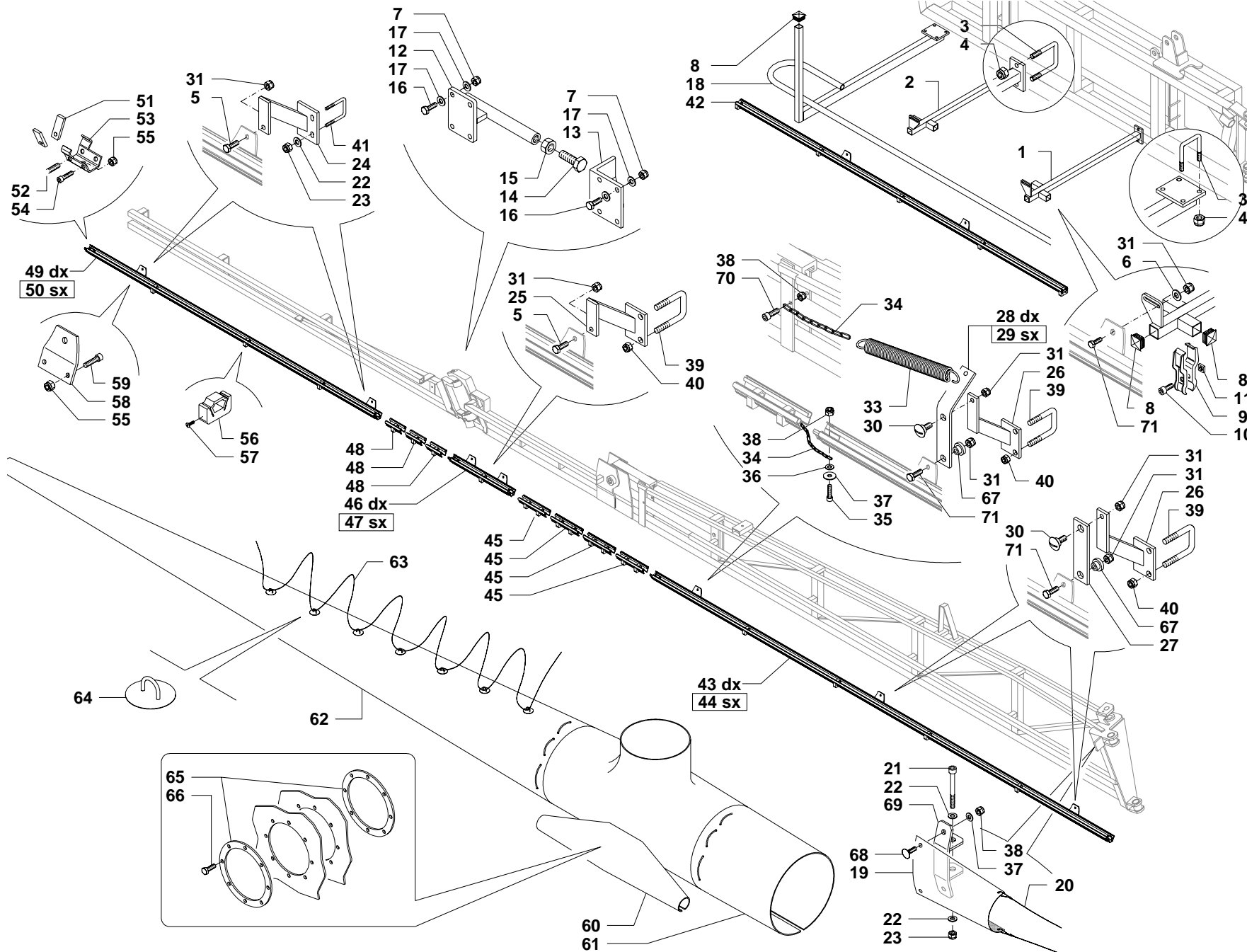
1	GG750500021V
2	GG900112025Z
3	GG900510035Z
4	GG501100062V
5	GG900110030Z
6	GG905400010
7	GG907010021Z
8	GG750400073
9	GG750400075
10	BG019067
11	GG900510040Z
12	BG019072
14	BB50243127
15	BB50223006
16	GG750400028
17	BB50243133
18	BB50223214
19	BG019066
20	GG750400074
21	BG019073
22	BB50243121
23	BB50223004
24	BB50223209
25	GG570100031Z
26	BB50243113
27	GG900508030Z
28	GG900508040Z
29	GG905400008
30	GG907008017Z
31	GG307000090V
32	GG900110035Z
33	GG905300010
34	GG500500002Z
35	BB50238604
36	GG907021037Z
37	BB50238606
38	GG907025044Z
39	BB50238602
40	GG907014028Z
41	GG501100068V
42	GG501100066V
43	BG002728
44	GG900508030Z
45	GG907108024Z
46	GG680100087
47	BB50243133
48	BB50224023
49	GG740000084Z
50	BB50243122
51	BB50229215



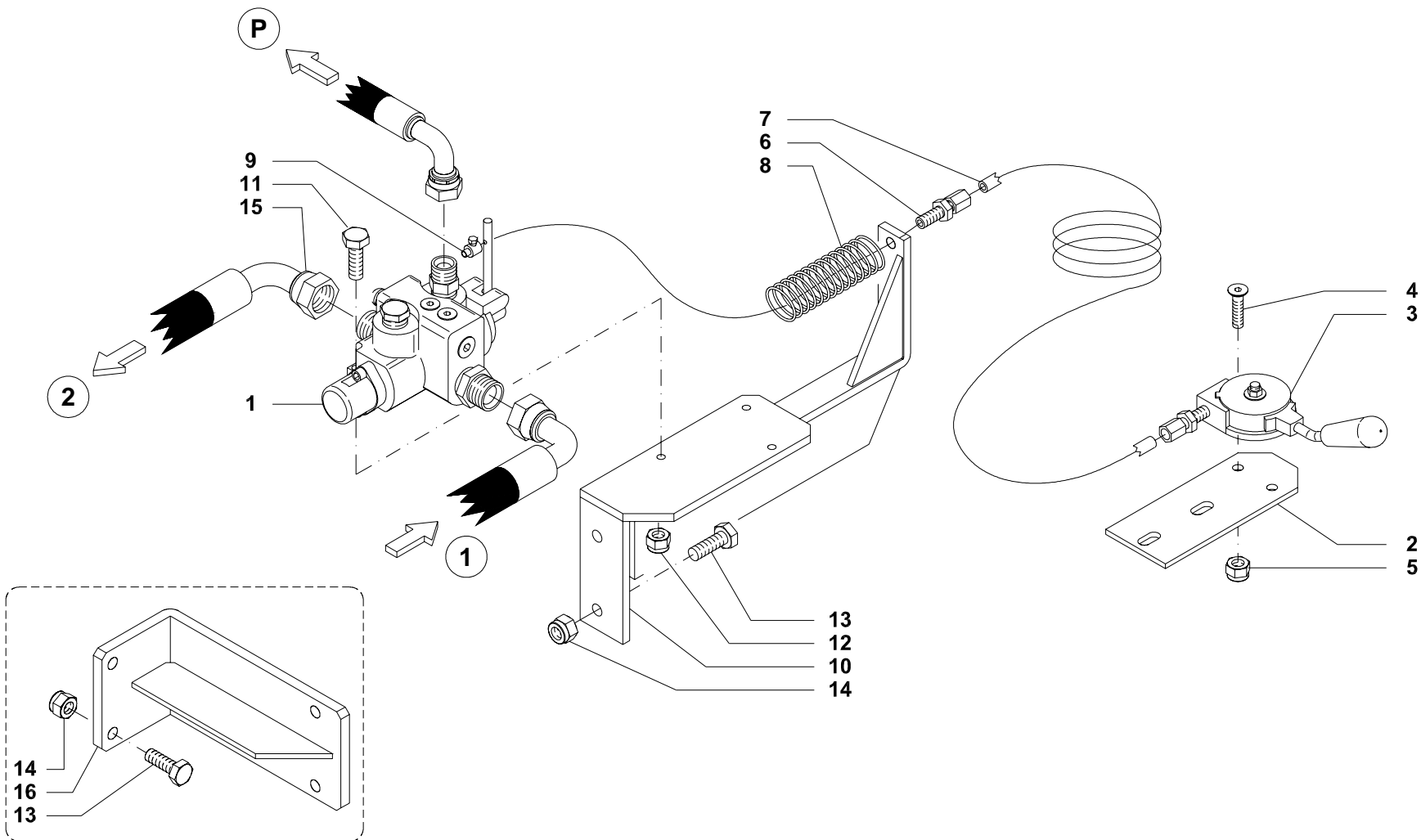
52	GG680100160
56	GG765640800
57	GG763880750
58	GG767250450
59	GG763990700
60	BG020229
61	BG020230
62	GG765665000
63	BG020231
64	GG767112800
65	GG680100097



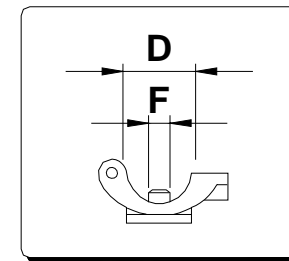
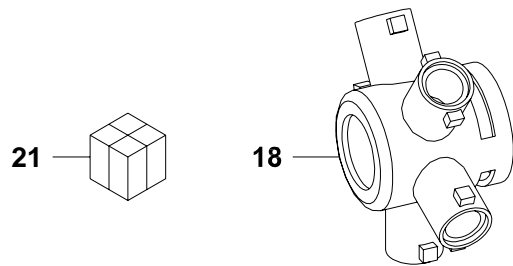
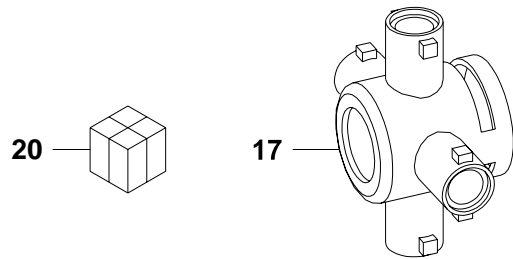
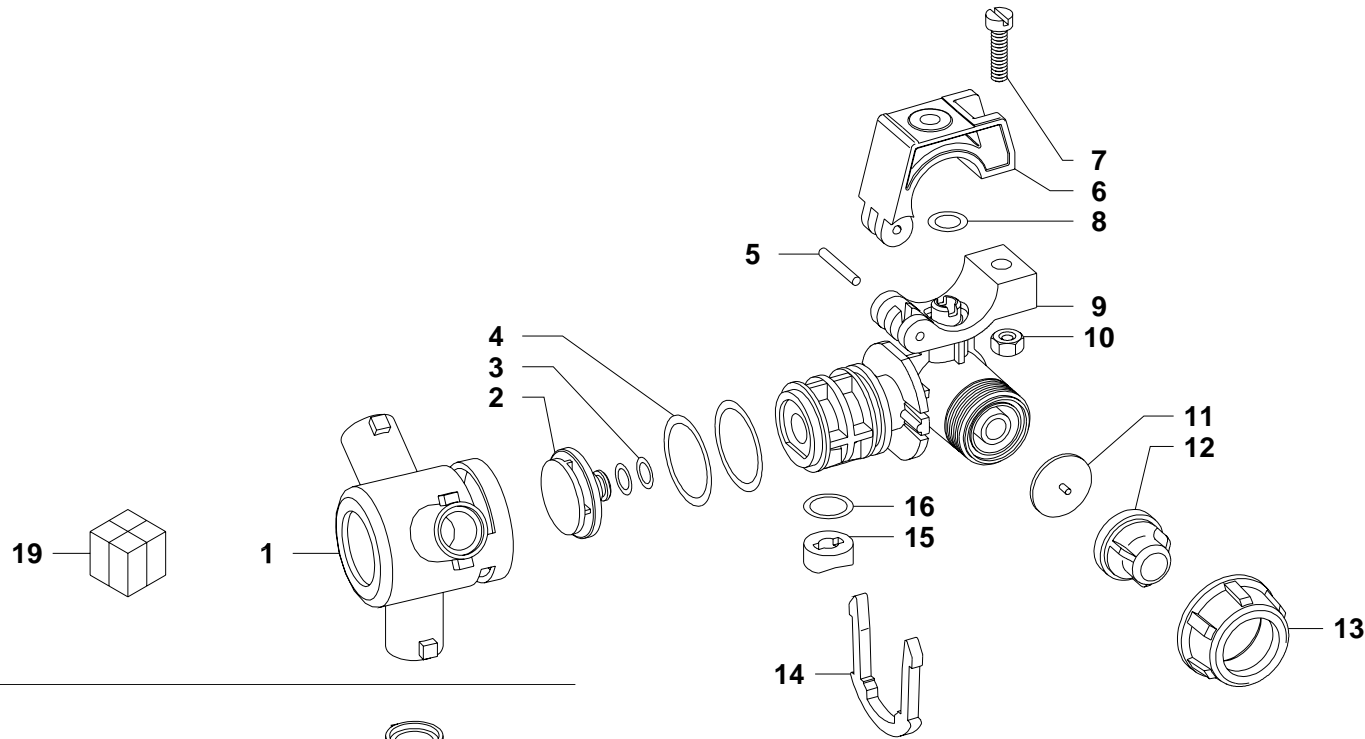
1	GG221600070V	
2	GG221600071V	
3	GG500500002Z	
4	GG905300010	
5	BG001455	
6	GG907108024X	
7	GG905400008	
8	GG950130030	
9	GG500600003Z	
10	GG900508030Z	
11	GG906000008Z	
12	BG000135	
13	BG000134	
14	GG900114040Z	
15	GG905100014Z	
16	GG900108030Z	
17	GG907008017Z	
18	GG221800150V	
19	GG950200015	
20	GG680200025	
21	GG900506075Z	
22	GG907106018Z	
23	GG905300006	
24	GG680100150V	
25	GG680100149V	
26	GG680100152V	
27	GG680100158V	
28	GG680100154V	
29	GG680100155V	
30	GG680100156	
31	GG905400008X	
33	GG680100157	
34	GG680200024	
35	GG900506020X	
36	GG907006012X	
37	GG907106018X	
38	GG905400006X	
39	GG500500001Z	
40	GG905400010	
41	GG500500004Z	
42	GG680200031	
43	GG680200080	16-16,5m
43	GG680200070	18-18,5m
43	BG020310	21m
44	GG680200081	16-16,5m
44	GG680200071	18-18,5m
44	BG020311	21m
45	GG680200037	
46	GG680200062	16-16,5m
46	GG680200072	18-18,5-21 m



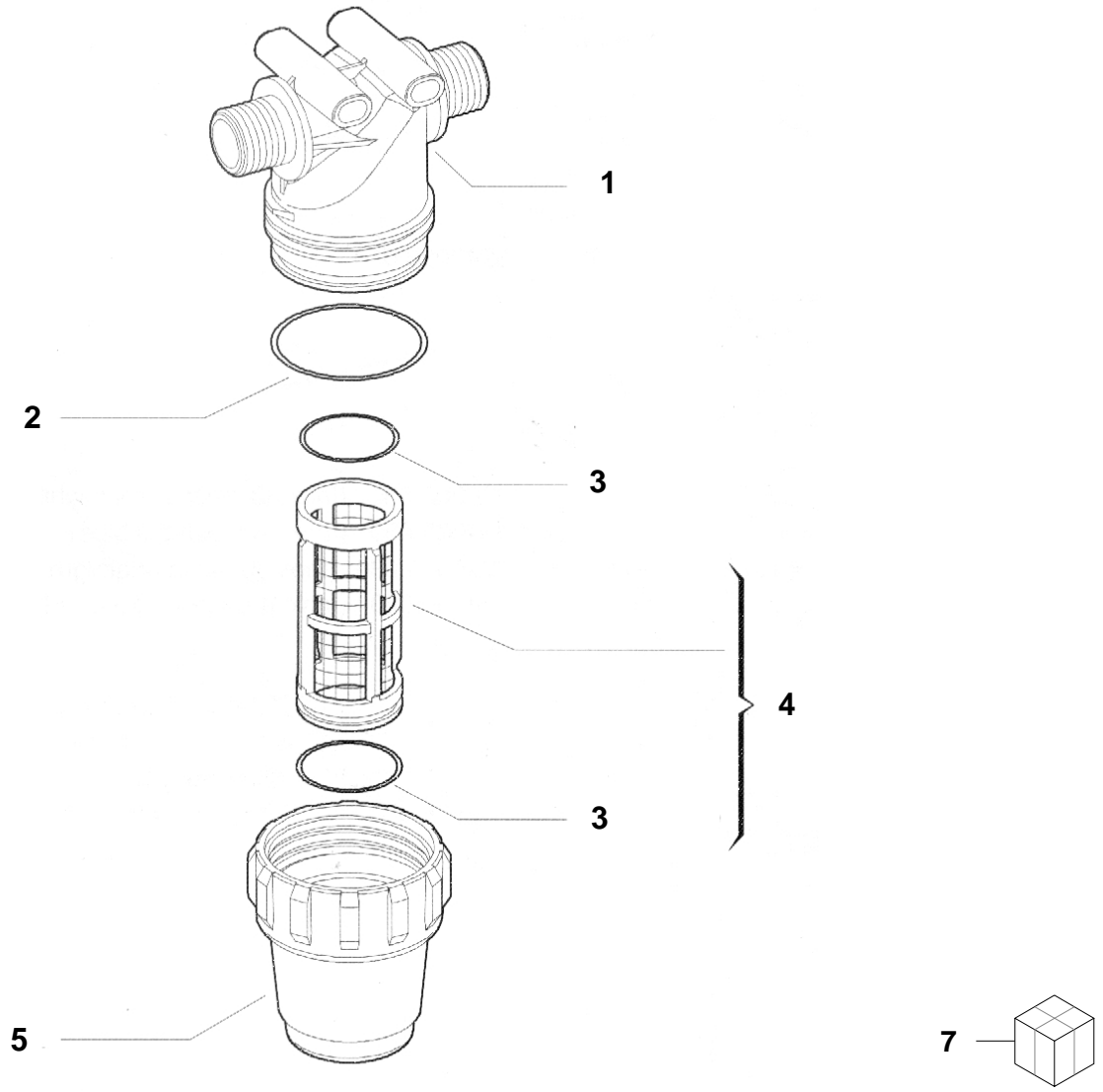
47	GG680200062	16-16,5m
47	GG680200073	18-18,5-21m
48	GG680200043	
49	BG002646	
50	BG002647	
51	GG680200028	
52	GG900506012X	
53	GG680200020	
54	GG900505012X	
55	GG905400005X	
56	GG680200022	
57	GG680200023	
58	GG680200021	
59	GG900505016X	
60	GG680200306	
61	BG020447	16-16,5m
61	BG020449	18-18,5m
61	BG020487	21m
62	BG020448	16-16,5m
62	BG020450	18-18,5m
62	BG020488	21m
63	GG680200029	
64	GG680200300	
65	GG680200026	
66	GG900508035	
67	BG001125	
68	GG904706020X	
69	BG001015	
70	GG900506020X	
71	BG001350	



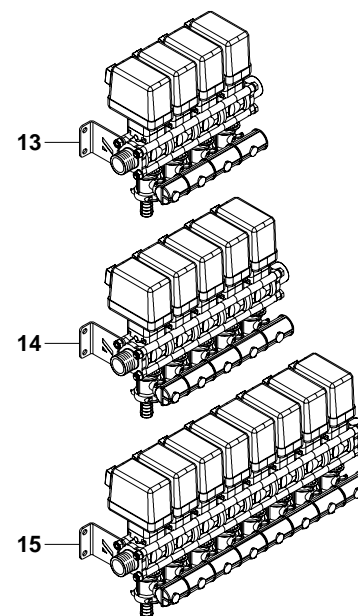
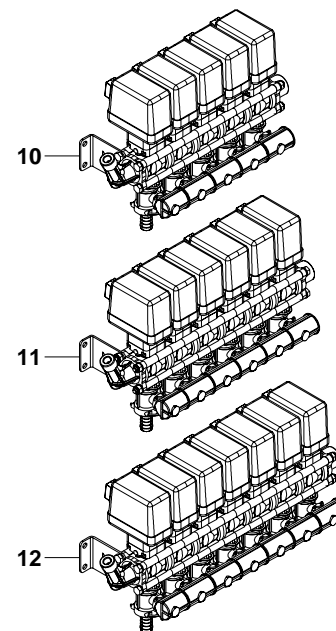
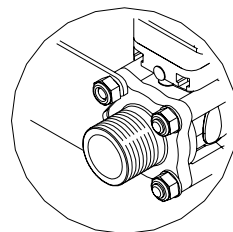
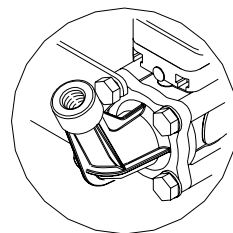
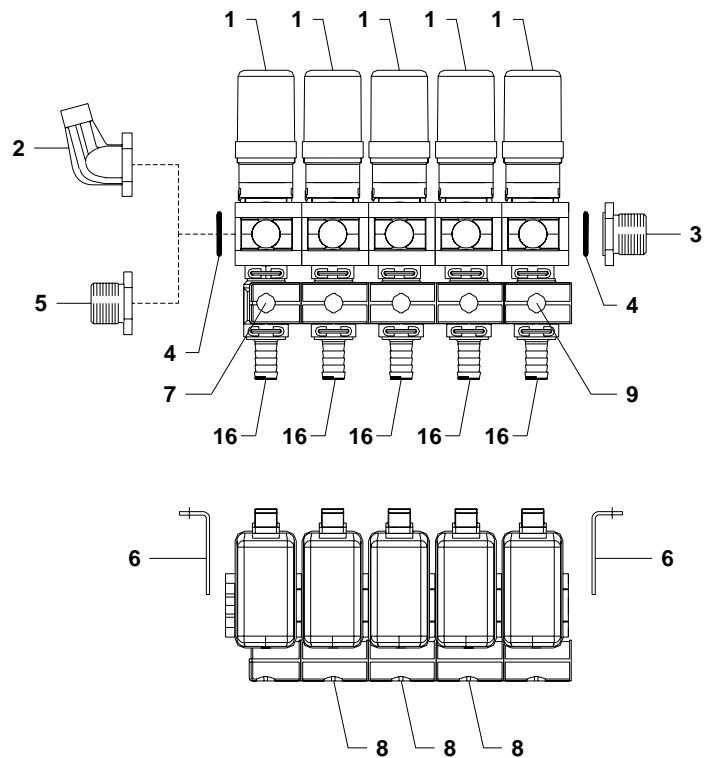
1	GG997520131	
2	GG380500047V	
3	GG920100015	
4	GG900708020Z	
5	GG905400008	
6	GG919800045	
7	GG500700121	
8	GG919900008Z	
9	GG919800046	
10	GG501100025V	
11	GG904906040X	
12	GG905400006X	
13	GG900110030Z	
14	GG905400010	
15	GG763885500	Elios
15	GG763884500	Fox
15	GG763885000	Compact 2700
16	BG014629	Elios



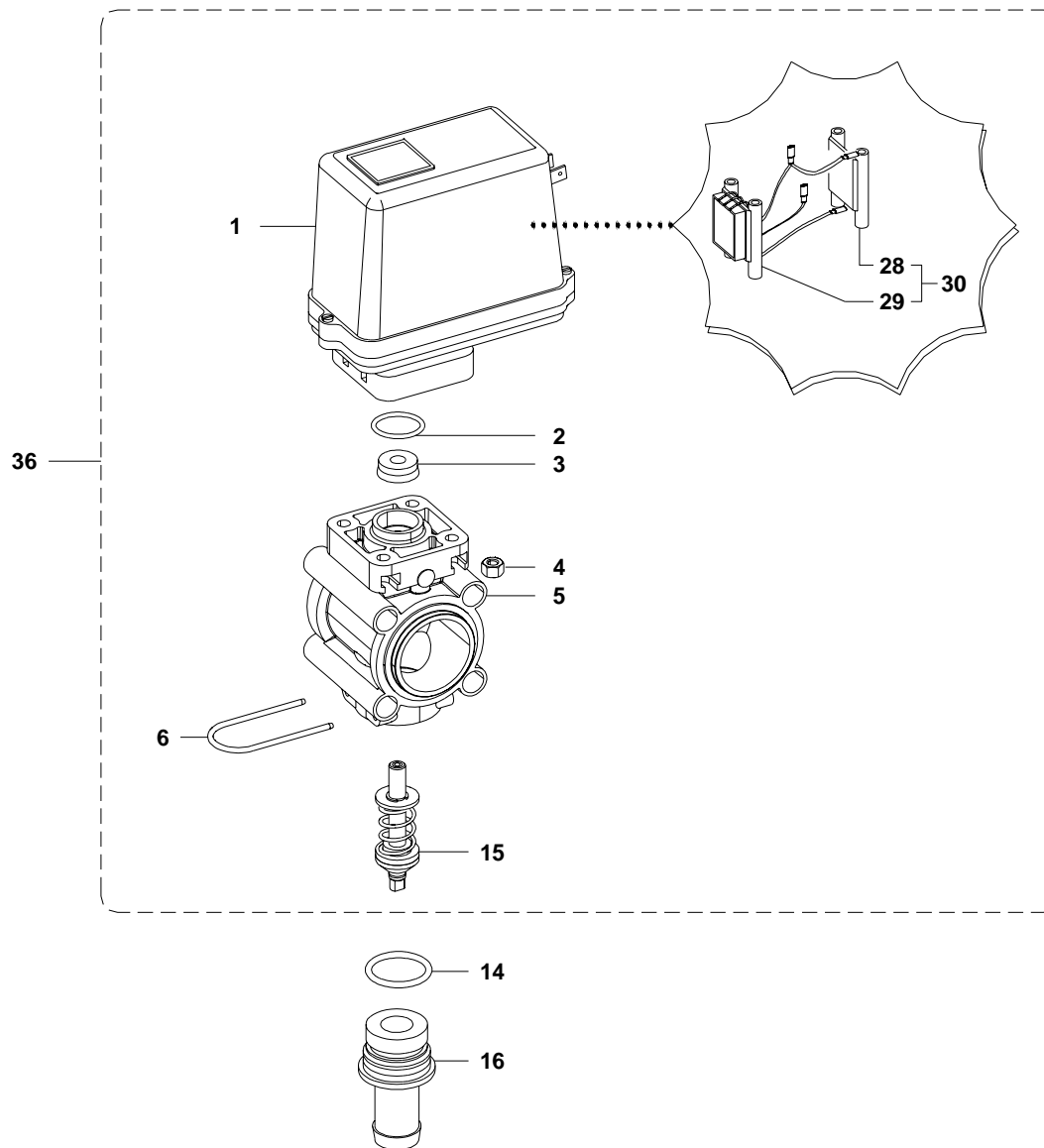
1	BG001580	
2	A- 4064000.030	
3	GGA4065910.070V	
4	GGA4062000.050	
5	GGA400530.040	
6	BG007632	D=1/2"
6	A- 40055A7.020	D=25mm
7	GG904906020X	
8	GGA400040.030	
9	BG007631	D=1/2" F=10
9	A- 4064055.010	D=25mm F=7
10	GG905100006X	
11	GGA005860.036	
12	GGA402002.130	
13	GGA002002030	
14	BG001574	
15	A- 4062000.050	
16	GGA00G10021	
17	BG001579	
18	A- 4064900.020	
19	GGA004064237	D=1/2" F=7
19	GGA004064247	D=1/2" F=10
19	GGA00406425A7	D=25mm F=10
20	GGA004064747	D=1/2" F=10
20	GGA0040647A7	D=25mm F=10
21	GGA004064947	D=1/2" F=10



1	GGA3222020.010	G1/2"
1	GGA3222030.010	G3/4"
2	GGA322000.040	
3	GGA322000.050	
4	GGA322004.030	100 mesh
4	GGA322003.030	50 mesh
4	GGA3220035.030	80 mesh
4	BB602322002030	32 mesh
5	GGA322000.020	
7	GGA003222024	G1/2" 100mesh
7	GGA003222034	G3/4" 100mesh



1	A- 463001S.910	
2	GGA463011.130	
3	GGA463000.040	
4	GGA00G10071V	
5	GGA463000.140	
6	GGA463011.100	
7	A- 463000.260A	
8	A- 463000.360A	
9	A- 463000.460A	
10	GGA00463CGA10	5 funzioni
11	GGA00463CGA20	6 funzioni
12	GGA00463CGA11	7 funzioni
13	BG019063	4 funzioni
14	BG019064	5 funzioni
15	BG019062	8 funzioni
16	A- 463001.A19	D=19mm
16	BG010589	D=13mm



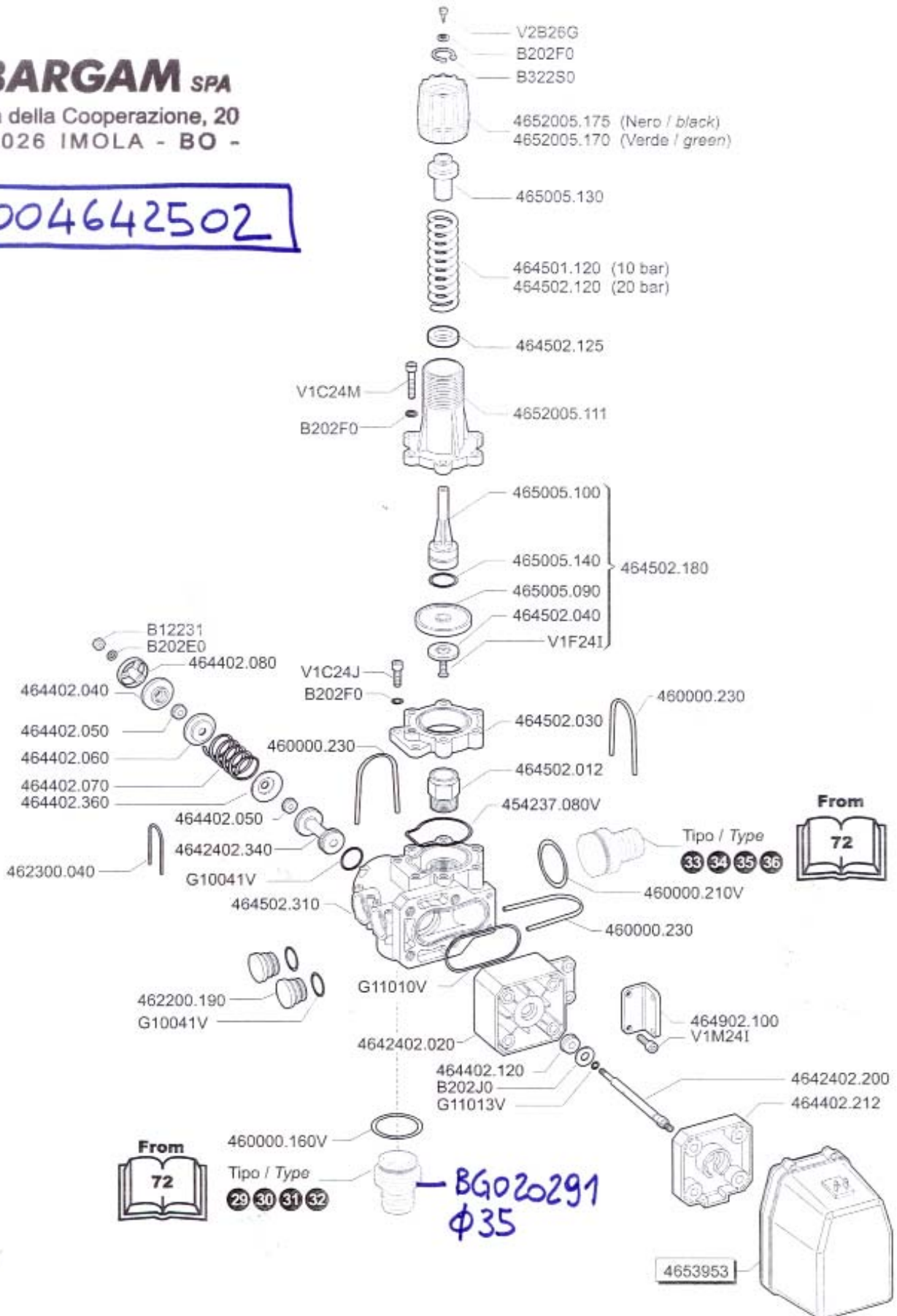
1	BG018867	
1	BG004017	"Velox"
2	GGA465900.060	
3	GGA465900.180	
4	A- B10232	
5	A- 4630001.010	
6	GGA462300.040	
14	GGA465005.140V	
15	GGA463001.550	
16	GGA463001.110	D= 10mm
16	GGA463001.113	D= 13mm
16	GGA463001.116	D= 16mm
16	GGA463001.119	D= 19mm
16	GGA463001.125M	D= 25mm
28	A- 4652900.021	
29	A- 4652900.025	
30	GGA4652900.020	
36	A- 463001.910	
36	A- 463001S.910	"Velox"

4642501-m02

BARGAM SPA

Via della Cooperazione, 20
40026 IMOLA - BO -

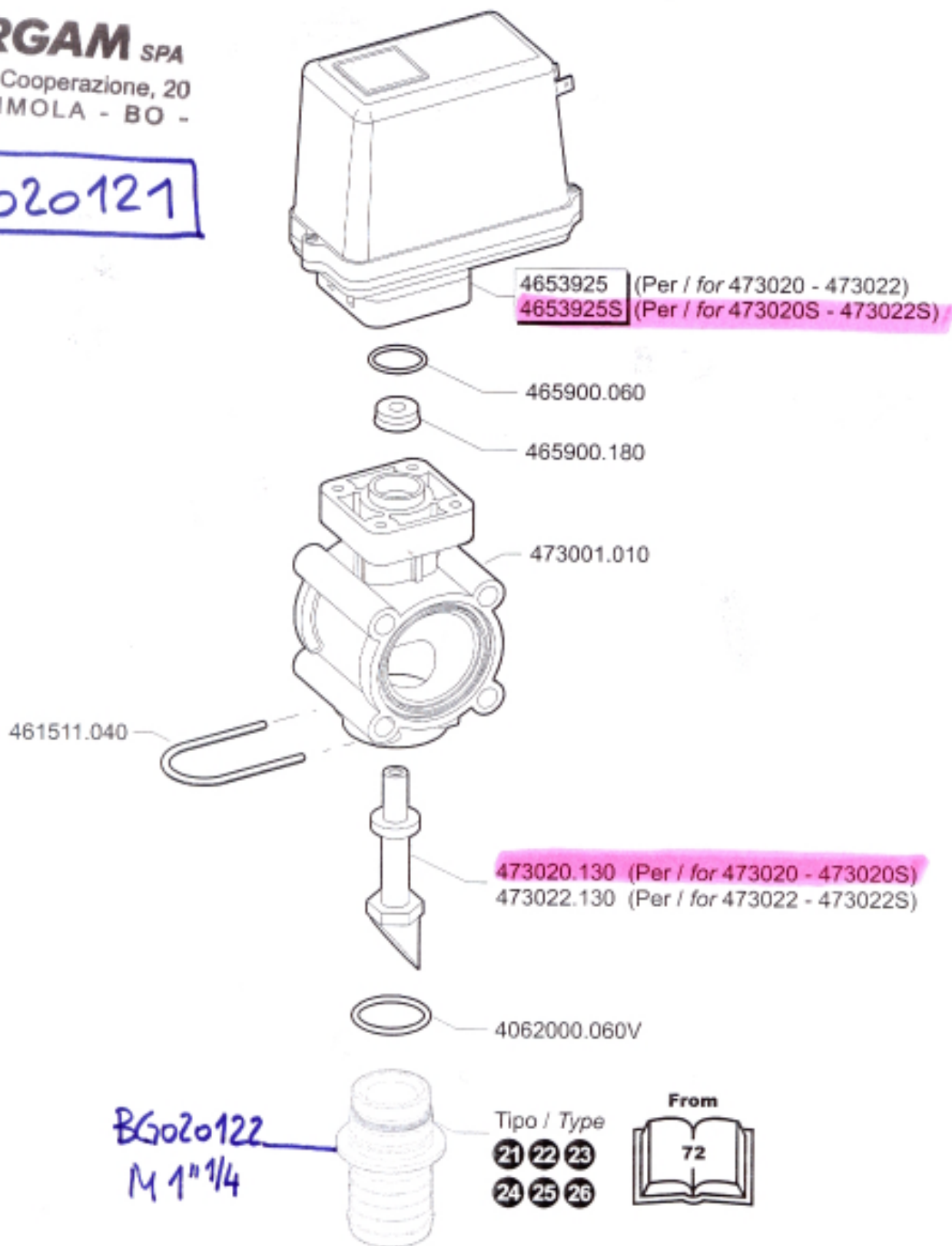
GG A004642502



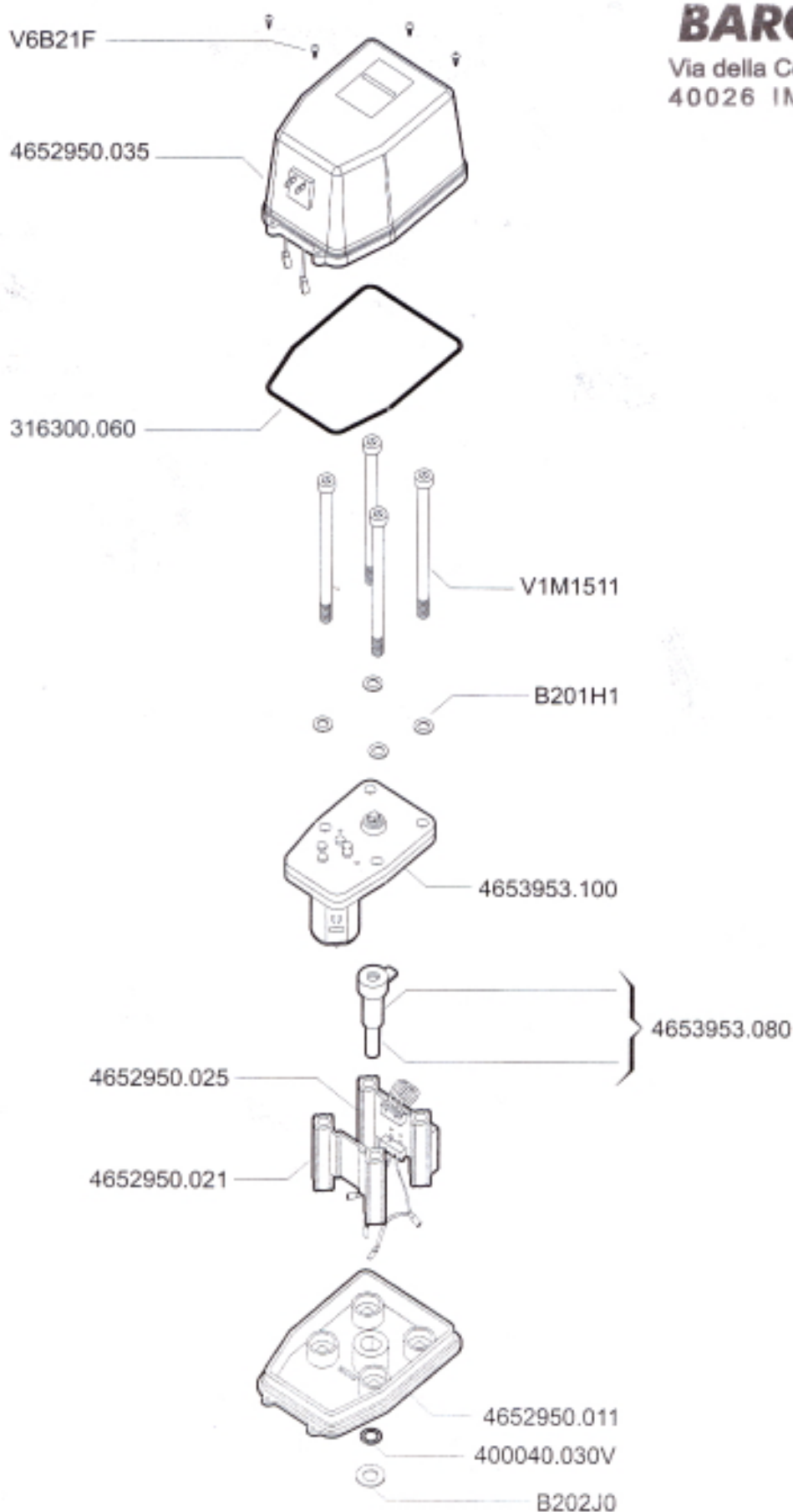
BARGAM SPA

Via della Cooperazione, 20
 40026 IMOLA - BO -

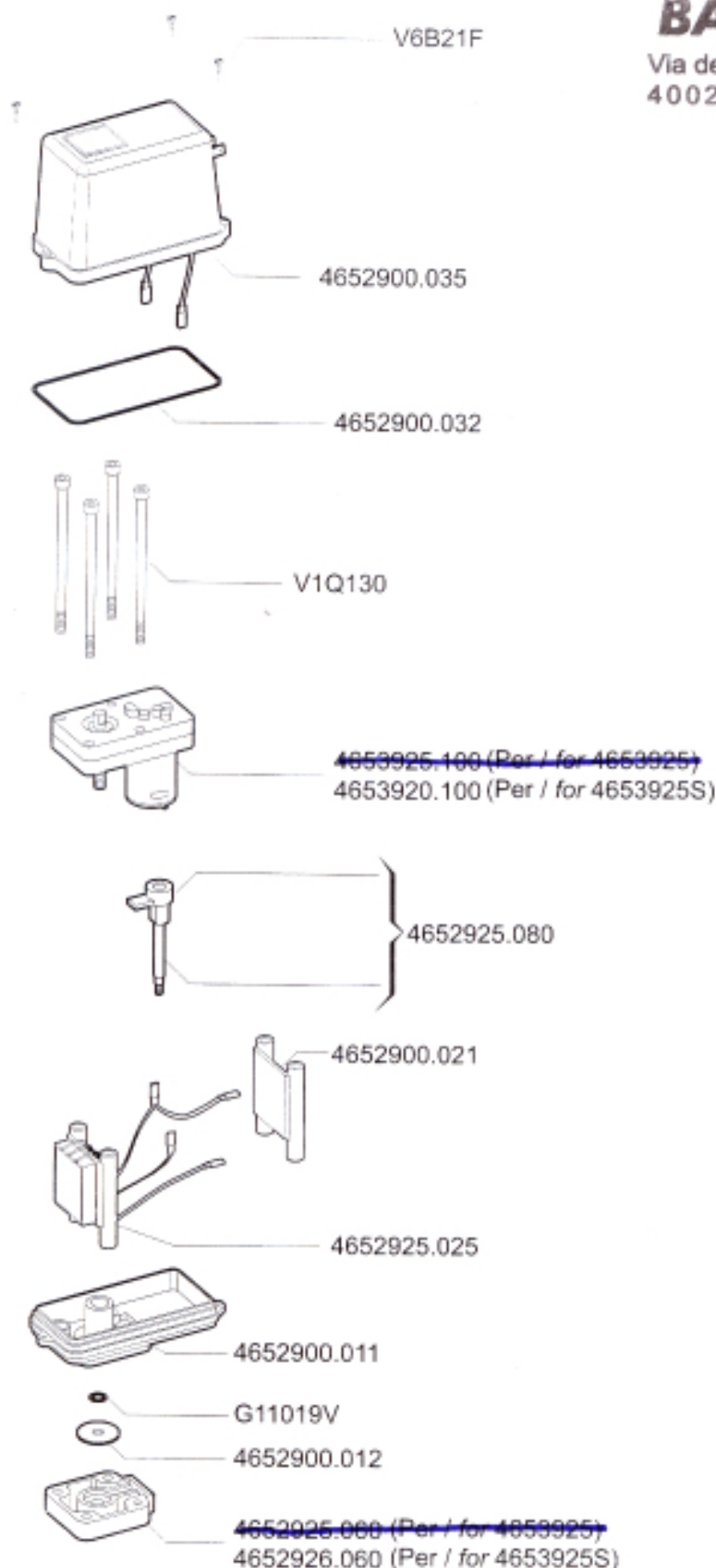
BG020121

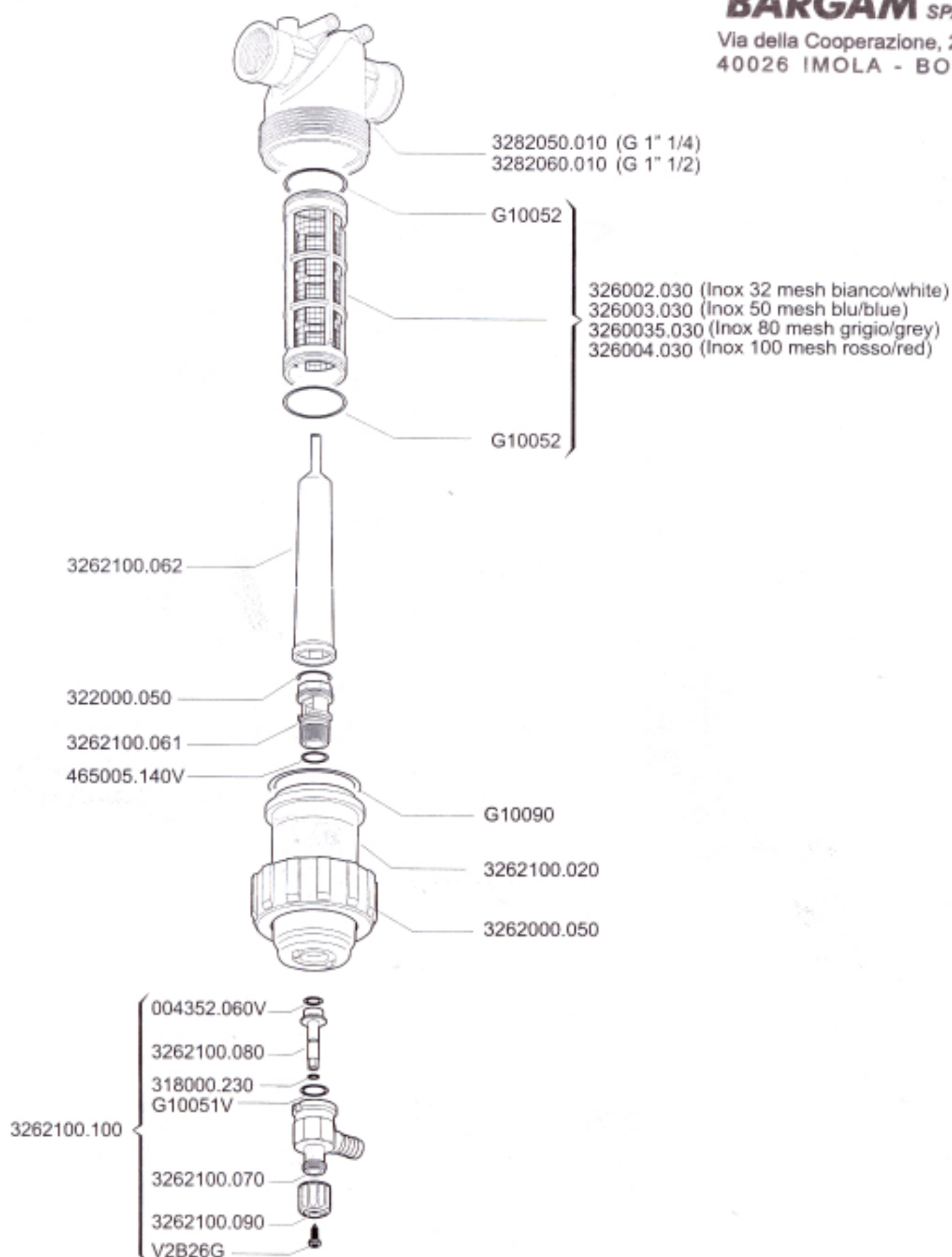


4653953_990-m01

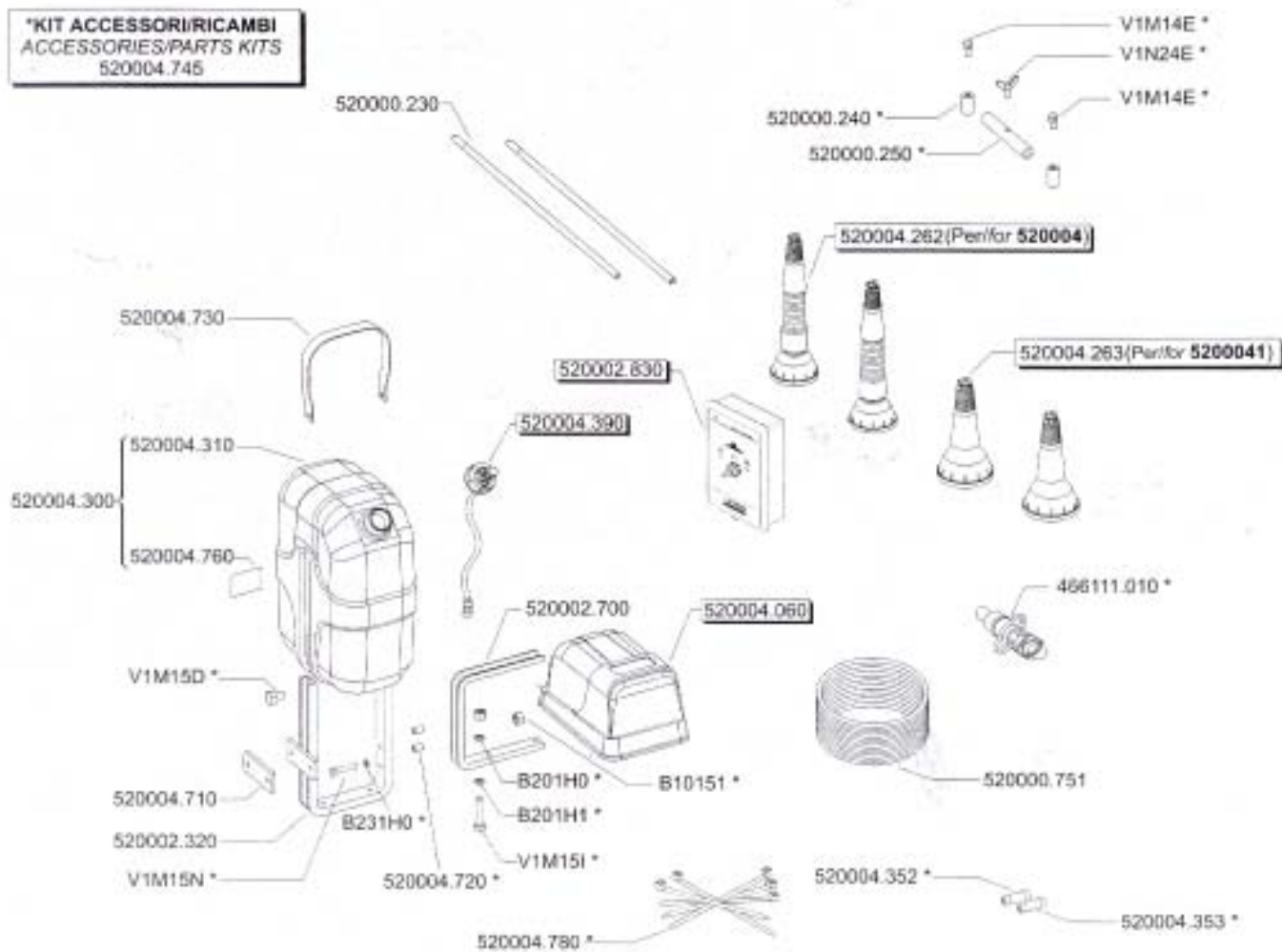


BARGAM SPA
Via della Cooperazione, 20
40026 IMOLA - BO -

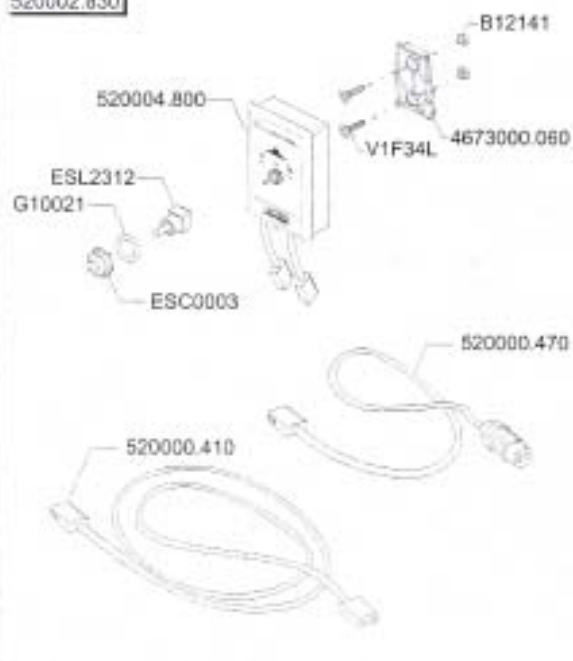
BARGAM SPAVia della Cooperazione, 20
40026 IMOLA - BO -

BARGAM SPA
Via della Cooperazione, 20
40026 IMOLA - BO -

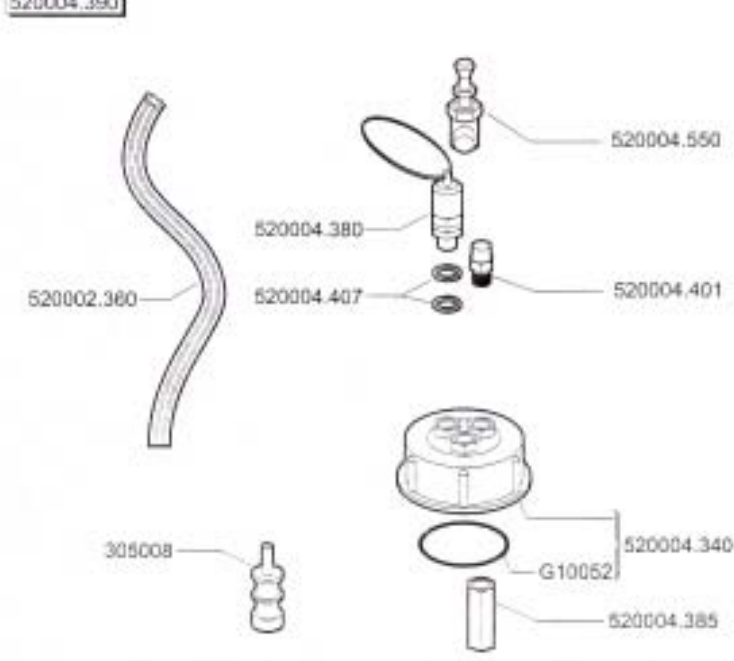
***KIT ACCESSORI/RICAMBI**
ACCESSORIES/PARTS KITS
520004.745



520002.830

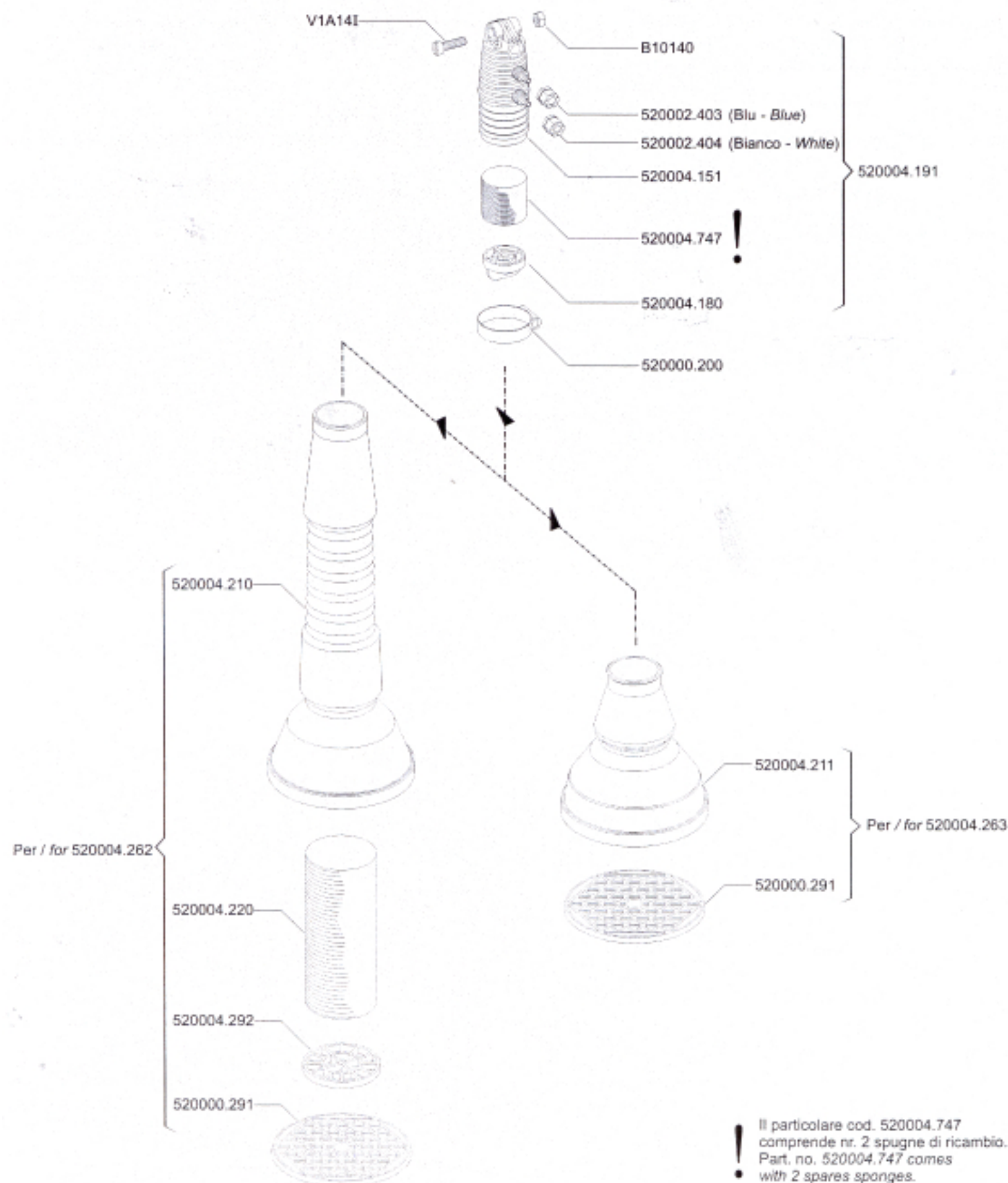


520004.390



TRACCIAFILE - FOAM MARKER - TRACEUR A MOUSSE
 MARCADOR DE ESPUMA - SCHAUMMARKIERER - MARCADOR DE ESPUMA

SERIES



TRACCIAFILE - FOAM MARKER - TRACEUR A MOUSSE
 MARCADOR DE ESPUMA - SCHAUMMARKIERER - MARCADOR DE ESPUMA

SERIES

*KIT ACCESSORI/RICAMBI
 ACCESSORIES/PARTS KITS
 520004.745

